



**HAL**  
open science

# Flexible Analog-to-Feature converter for wireless smart healthcare sensors

Mikhail Manokhin, Paul Chollet, Patricia Desgreys

► **To cite this version:**

Mikhail Manokhin, Paul Chollet, Patricia Desgreys. Flexible Analog-to-Feature converter for wireless smart healthcare sensors. 21st IEEE Interregional NEWCAS 2023 Conference, Jun 2023, Edinburgh, United Kingdom. hal-04155396v1

**HAL Id: hal-04155396**

**<https://telecom-paris.hal.science/hal-04155396v1>**

Submitted on 7 Jul 2023 (v1), last revised 20 Jul 2023 (v2)

**HAL** is a multi-disciplinary open access archive for the deposit and dissemination of scientific research documents, whether they are published or not. The documents may come from teaching and research institutions in France or abroad, or from public or private research centers.

L'archive ouverte pluridisciplinaire **HAL**, est destinée au dépôt et à la diffusion de documents scientifiques de niveau recherche, publiés ou non, émanant des établissements d'enseignement et de recherche français ou étrangers, des laboratoires publics ou privés.

## Introduction

### Conventional wireless sensor approach for event detection

- feature extraction and classification in the aggregator
- Nyquist rate sampling + wireless transmission of all samples  
⇒ **energetically inefficient**

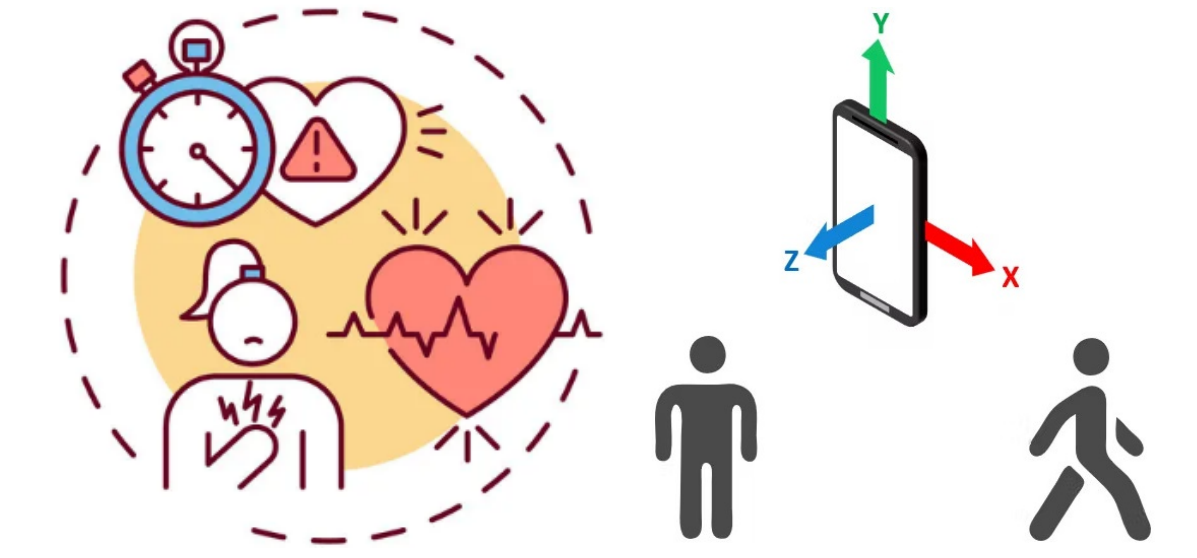
### Analog-to-Feature (A2F) conversion

- extraction of only useful features from the analog signal
- features – input data for ML algorithms for further classification  
⇒ **facilitation of a low-power IoT deployment**

### Objective

Design of a **generic, reconfigurable A2F converter** for different low-frequency signals:

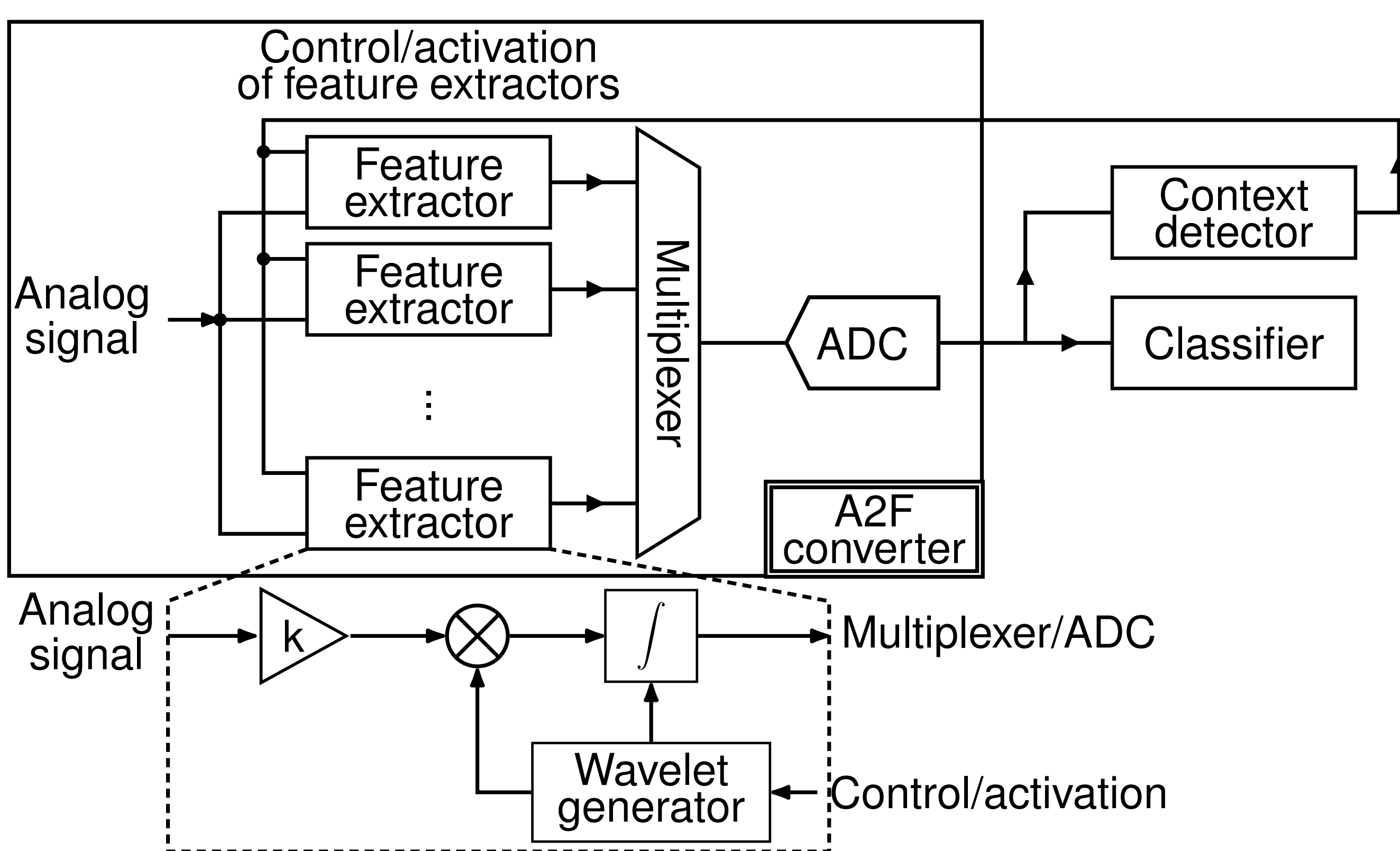
- arrhythmia detection in electrocardiogram (ECG) signals
- Human Activity Recognition (HAR) using inertial signals



## Intelligent acquisition with A2F converter

### Proposed architecture

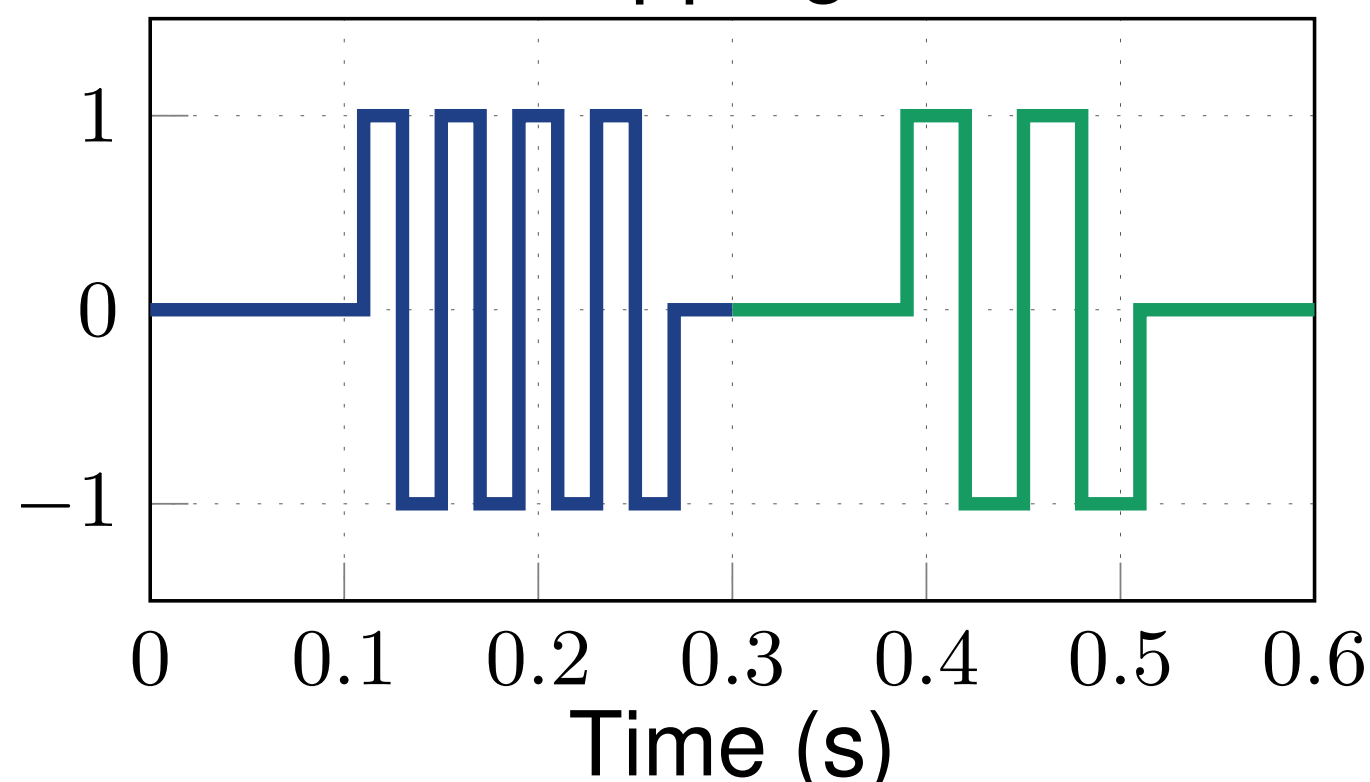
- NUWS-based feature extraction
- analog-to-digital conversion
- application-specific classification
- context detection for reconfiguration of extractors



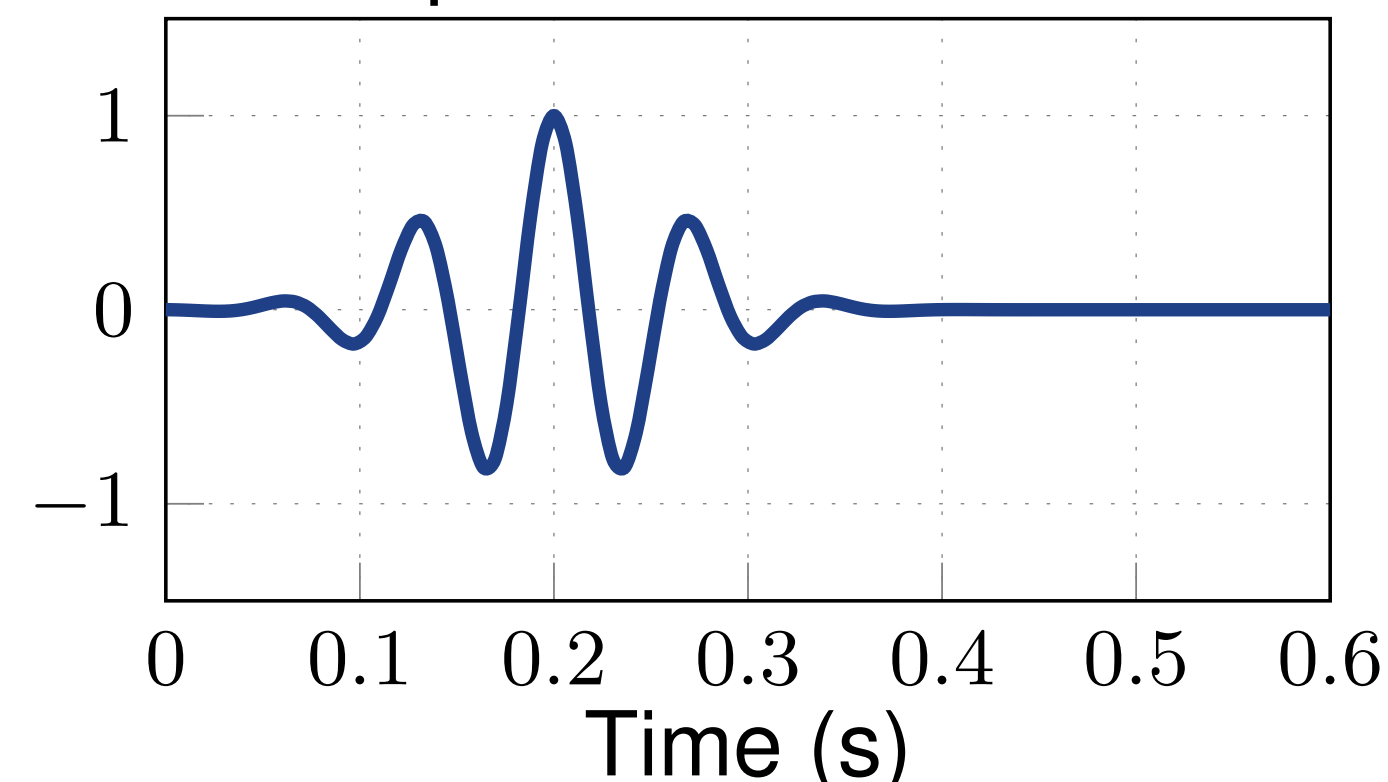
### Non-Uniform Wavelet Sampling (NUWS)

- mixing with tunable wavelets + integration in the analysis window
- obtains temporal and frequency information of input signal

Two non-overlapping Haar wavelets



Real part of Gabor wavelet



**large number of possible wavelets**

despite reduced redundancy during the wavelet dictionaries' construction

### Two-stage feature selection procedure

- Information Gain (IG)
  - independent ranking of available features
  - fast pre-selection of 100 best features without building a ML model
- Sequential Forward Search (SFS)
  - classifiers built with different subsets of features
  - improved performance for a given type of classifier

## Human activity recognition

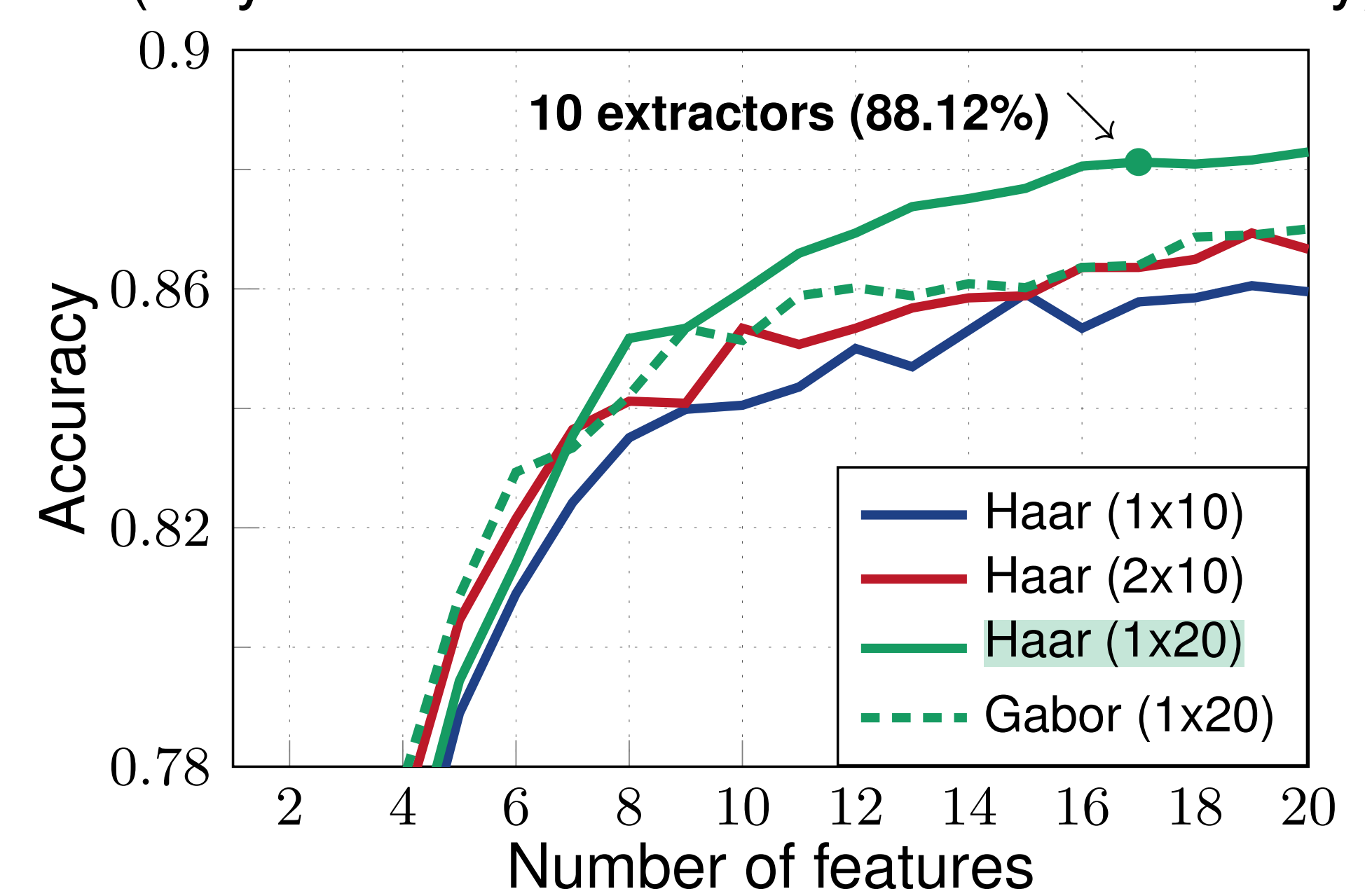
### UCI-HAR dataset

- **signals:** 3-axial linear acceleration and angular velocity (50 Hz)
- **6 activities:** walking, upstairs, downstairs, sitting, standing, laying
- **training and test sets:** 70/30% random partition
- **analysis window:** 128 samples of one annotated segment (2.56 s)

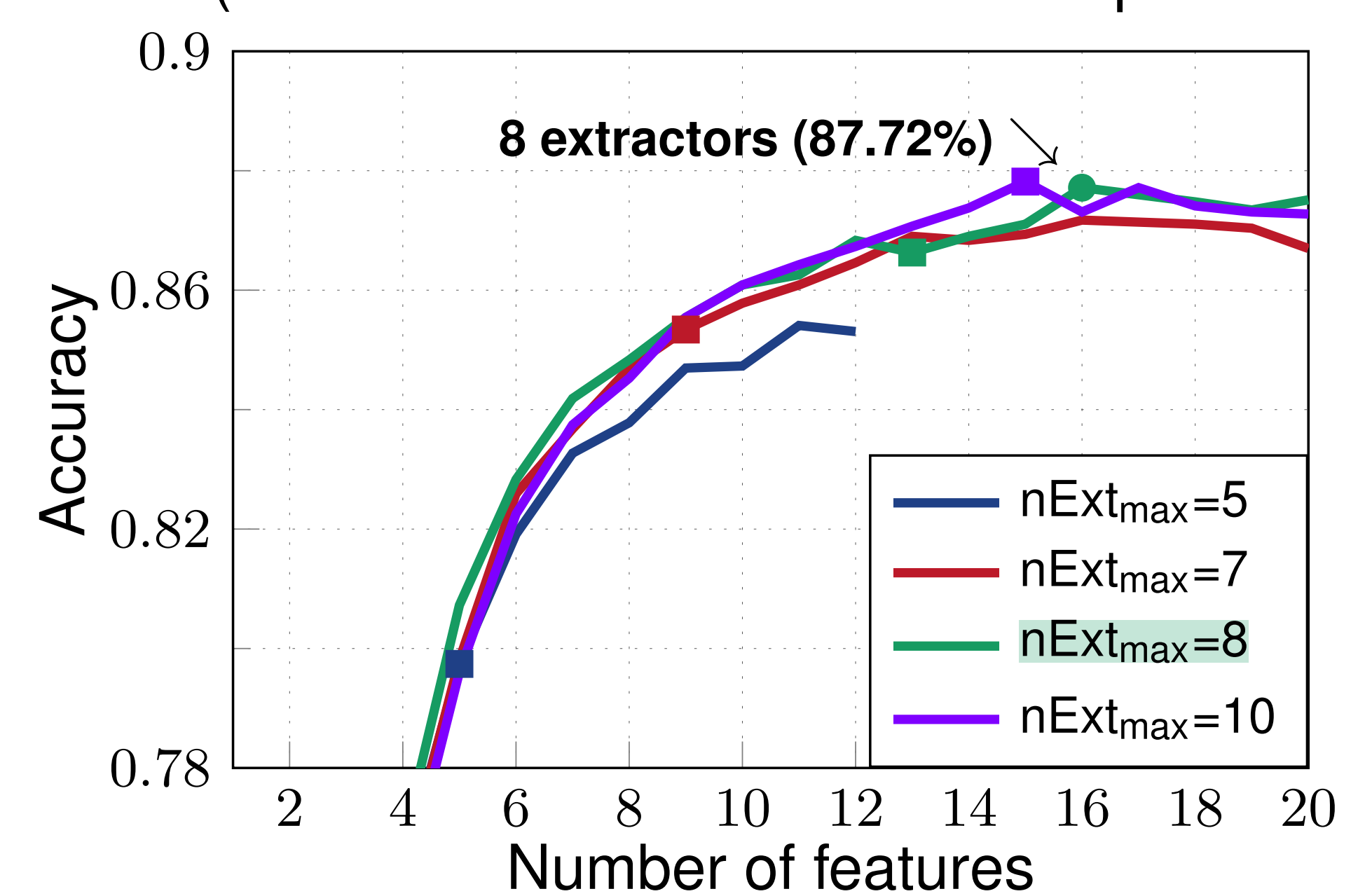
### Simulation results

#### Multiclass classification

- **basic SFS** (only maximizes the classification accuracy)



- **adapted SFS** (limits the maximum number of parallel extractors)



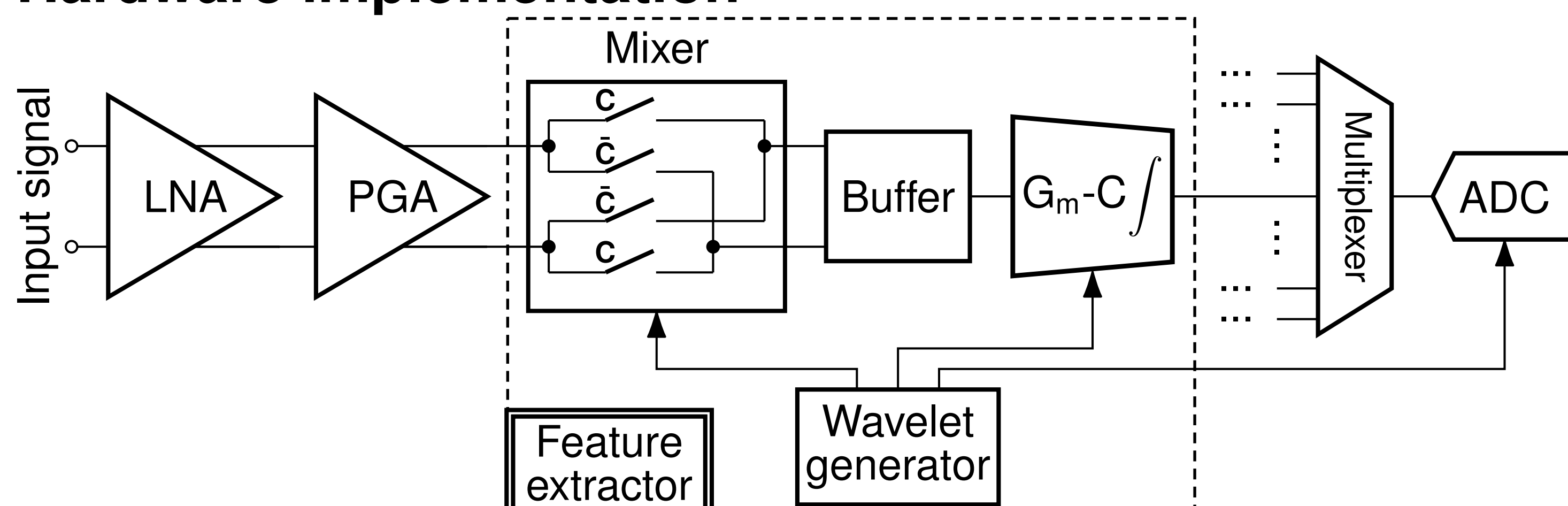
### Summary

Classification	Binary (one-vs-all)	Multiclass
N° of classifiers	6	1
N° of features	58 (total)	16
N° of extractors	min=1, max=8	8
Metric value	MCC <sup>*</sup> <sub>avg</sub> =0.860	accuracy=0.877
Extracted features	NUWS with Haar wavelets	
Classifier model	Feedforward NN (1x20) trained during 1500 epochs	

\*Matthews correlation coefficient

## Conclusion

### Hardware implementation



### Results summary

- proposal of a flexible A2F converter with NUWS-based feature extraction for event detection in wireless sensors
- simulation of HAR in addition to binary arrhythmia detection
- definition of hardware specifications for the physical implementation

### Ongoing/upcoming work

- complete circuit design
- development of a modified optimized SFS algorithm – power-aware feature selection based on the circuit simulations