



HAL
open science

Digital Predistortion for Wideband 5G Transmitters

Dang-Kiên Germain Pham

► **To cite this version:**

Dang-Kiên Germain Pham. Digital Predistortion for Wideband 5G Transmitters. 2019. hal-02915057

HAL Id: hal-02915057

<https://telecom-paris.hal.science/hal-02915057v1>

Submitted on 13 Aug 2020

HAL is a multi-disciplinary open access archive for the deposit and dissemination of scientific research documents, whether they are published or not. The documents may come from teaching and research institutions in France or abroad, or from public or private research centers.

L'archive ouverte pluridisciplinaire **HAL**, est destinée au dépôt et à la diffusion de documents scientifiques de niveau recherche, publiés ou non, émanant des établissements d'enseignement et de recherche français ou étrangers, des laboratoires publics ou privés.



Une école de l'IMT

Digital Predistortion for Wideband 5G Transmitters

21st March 2019

Germain Pham
C²S - COMELEC

dpham@telecom-paristech.fr

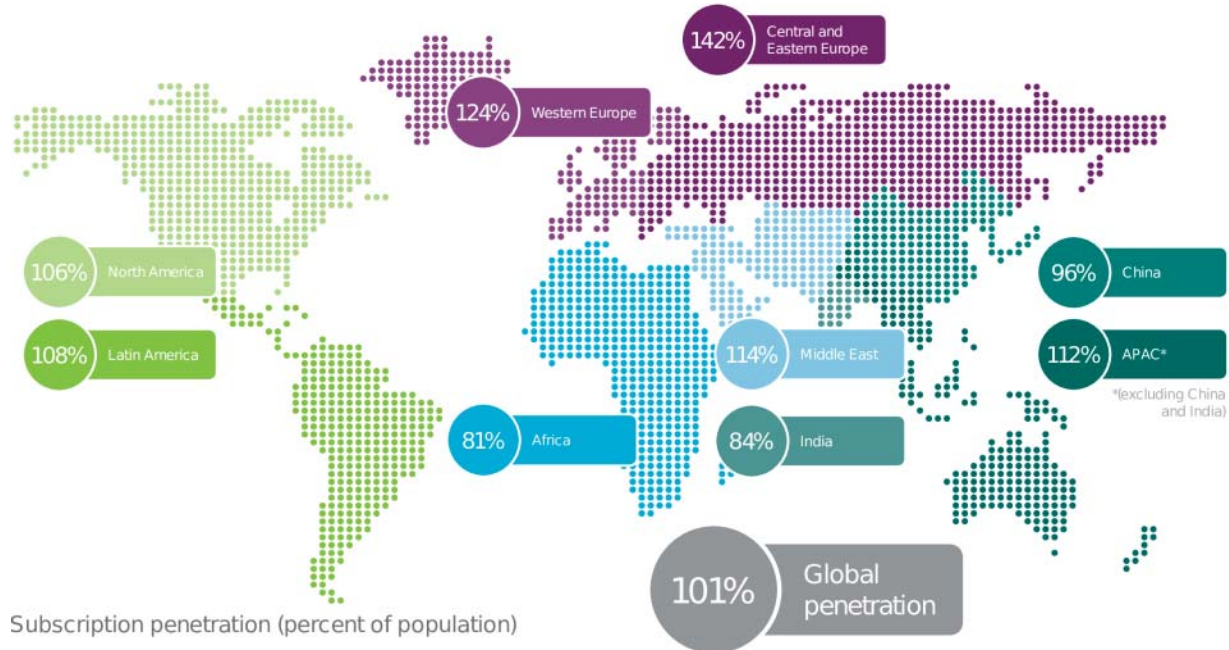




Outline

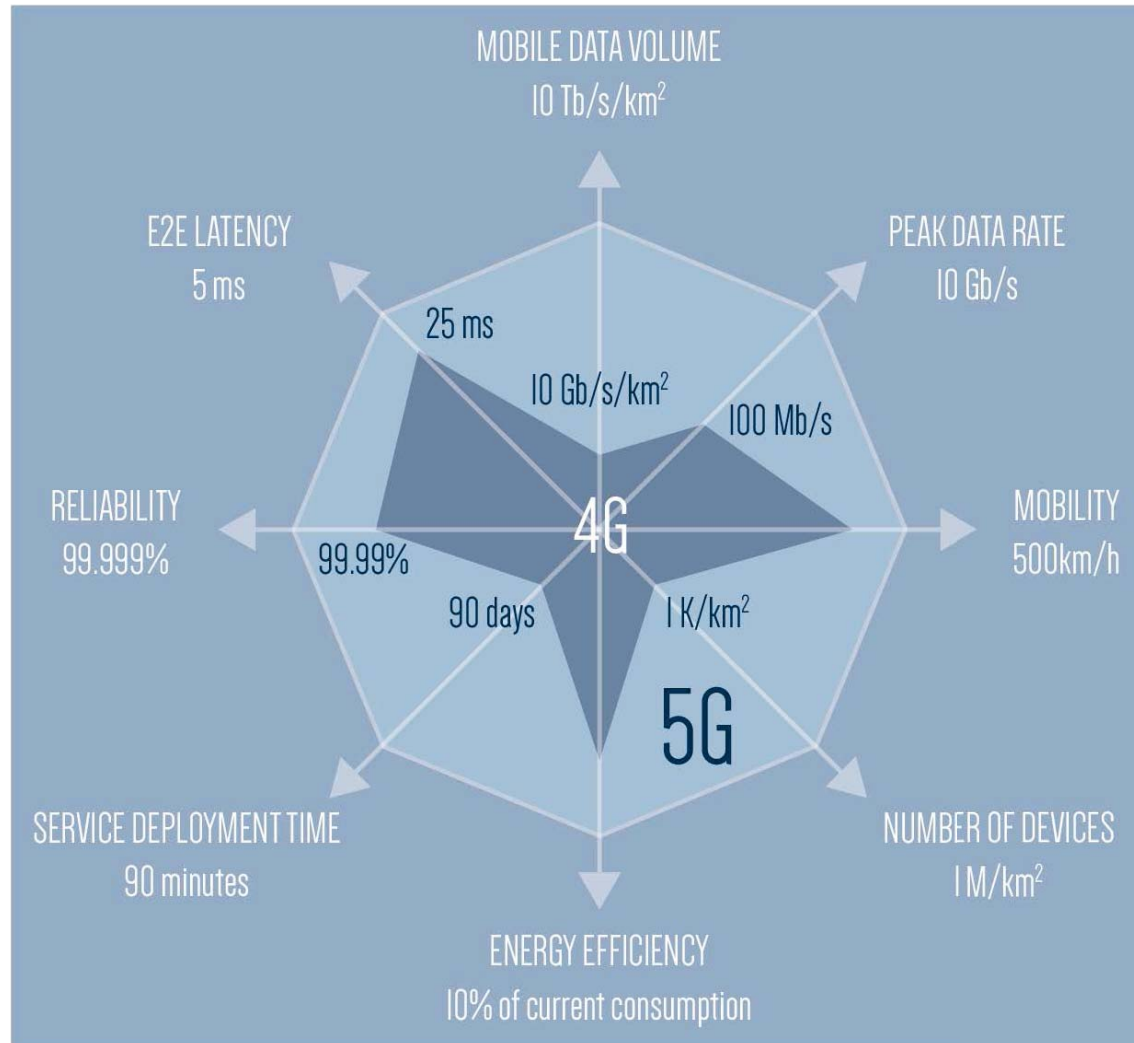
- **Introduction**
- **Power amplifier characterization**
- **Power amplifier modeling for digital predistortion**
- **The digital predistortion technique**
- **DPD challenges & Solutions for 5G**
- **Conclusion**

Wireless civilization



Sources: 5GPPP, Ericsson Mobility Report – Interim Update February 2017

5G disruptive capabilities



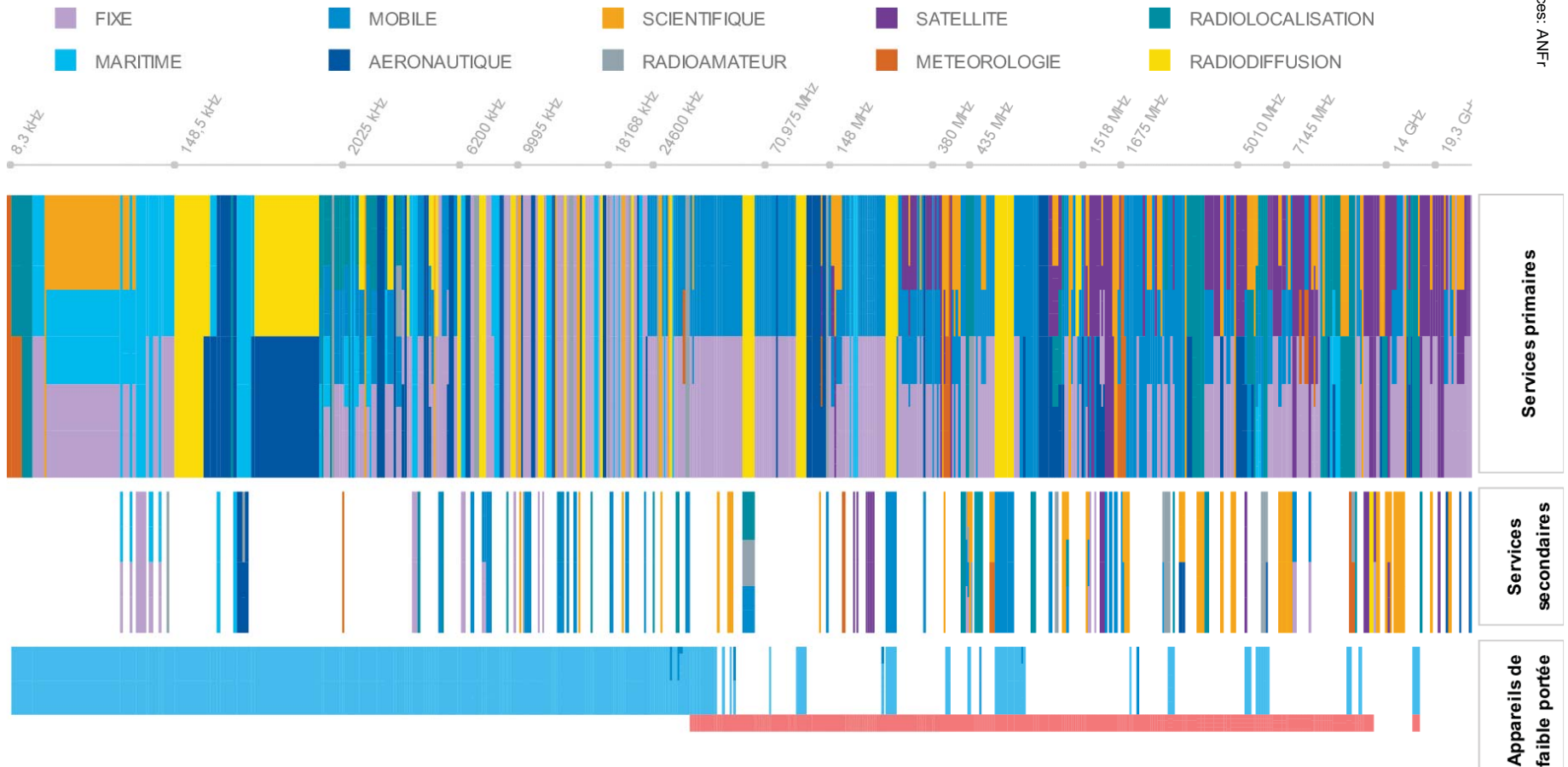
Sources: 5GPPP - 5G Vision

5G Key enabling technologies

- **Wide and contiguous spectrum bandwidth**
- **New flexible resource management and sharing schemes**
- **Flexible air interfaces**
- **New waveforms**
- **Advanced multi-antenna beam-forming and beam-tracking and MIMO techniques**
- **Millimeter-waves**
- **Denser cells leading to ultra-dense networks**

5G issue #1 : Spectrum scarcity

Spectrum allocation in France

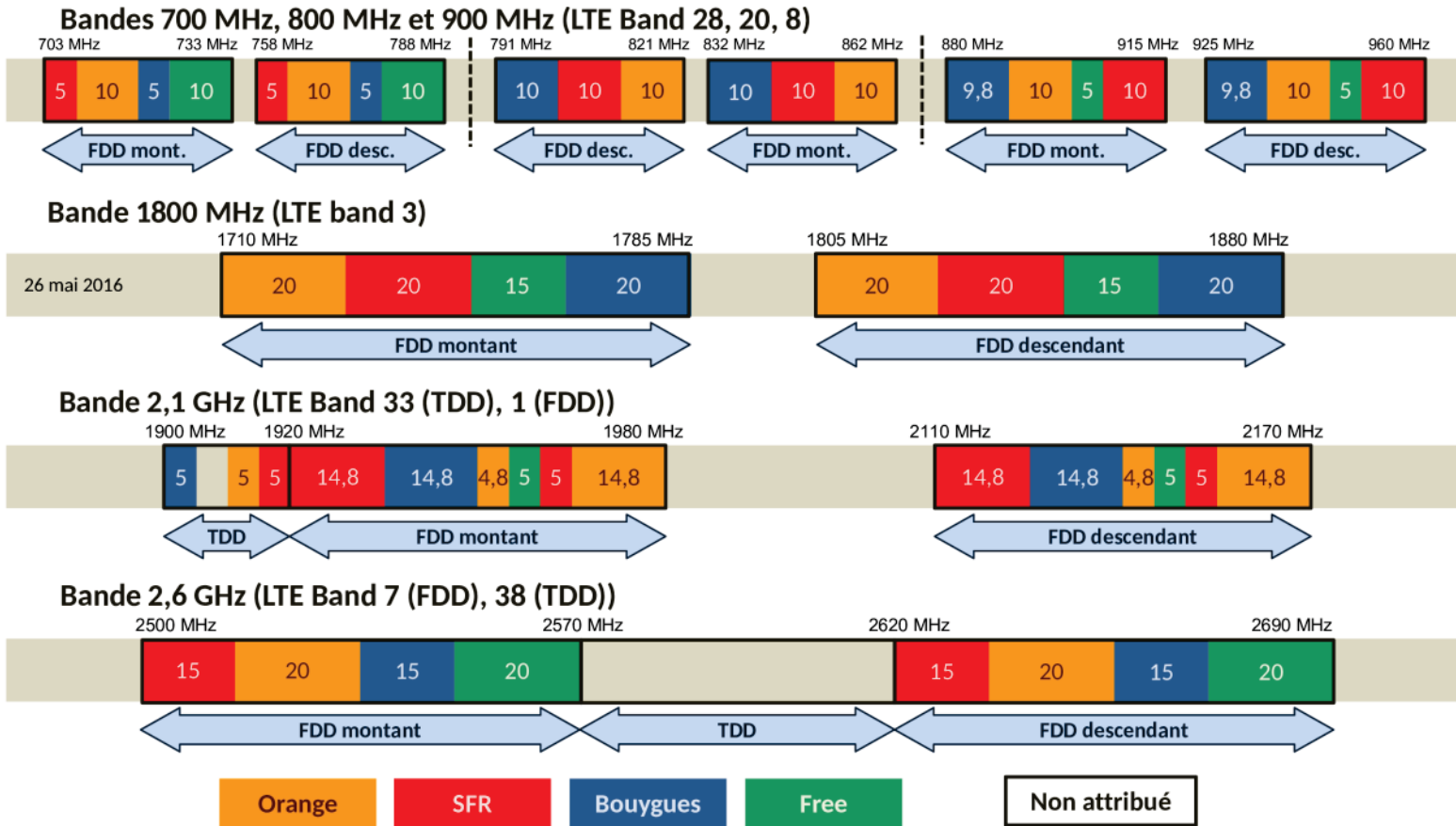


Sources: ANFR

5G Issue #1 : Spectrum scarcity – « Zoom »

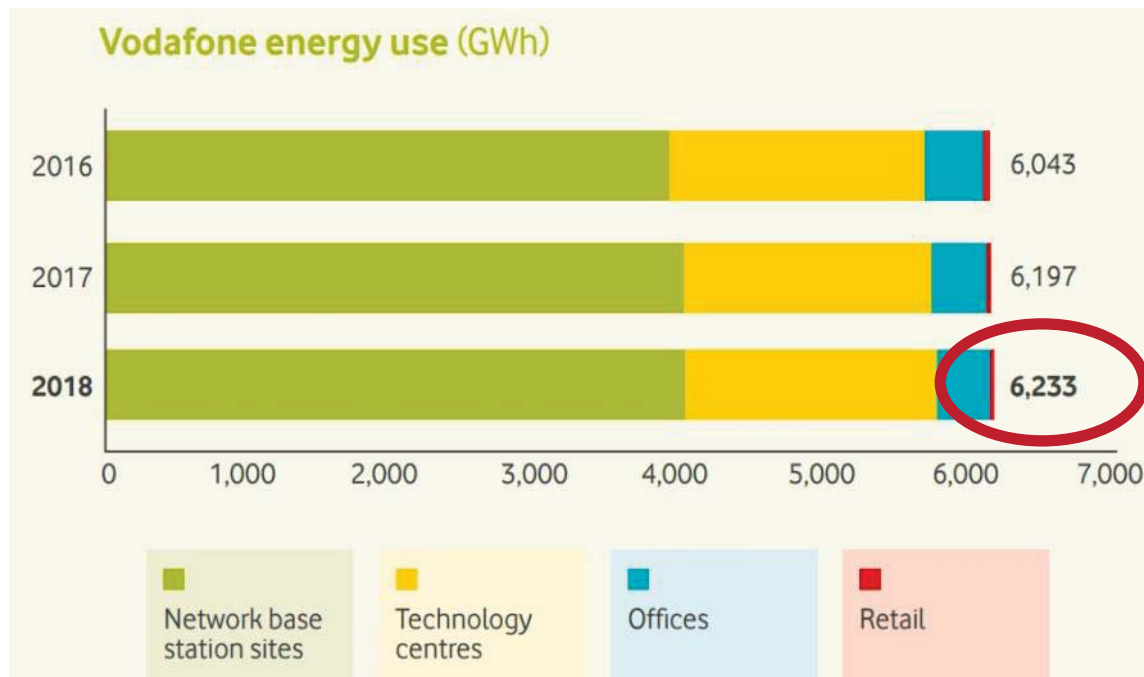
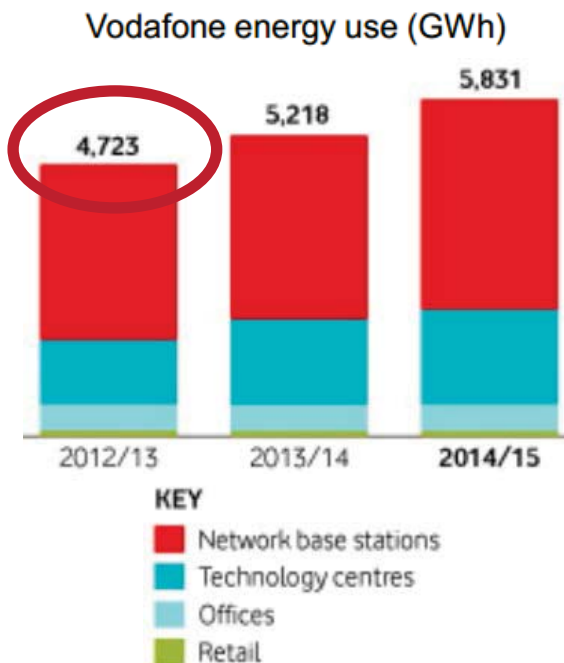
■ Spectrum sharing must be rigorously respected

Sources: ARCEP

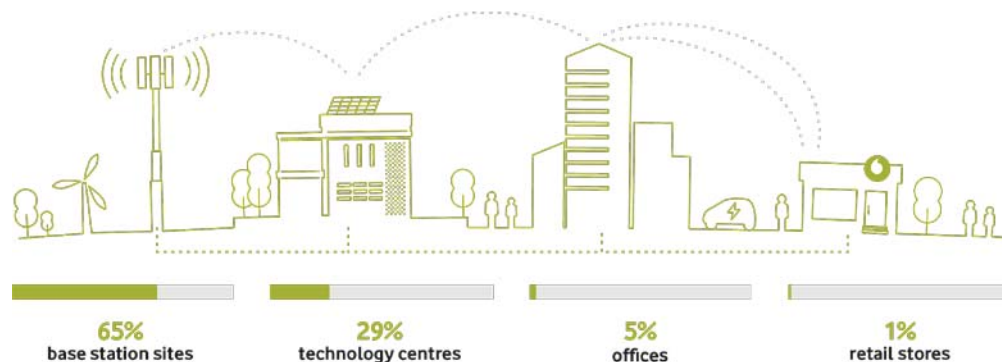


Note: les éventuelles bandes de garde de 200 kHz, en haut ou bas de bande, ou entre les attributions de deux opérateurs adjacents ne sont pas mentionnées

5G issue #2 : Energy consumption

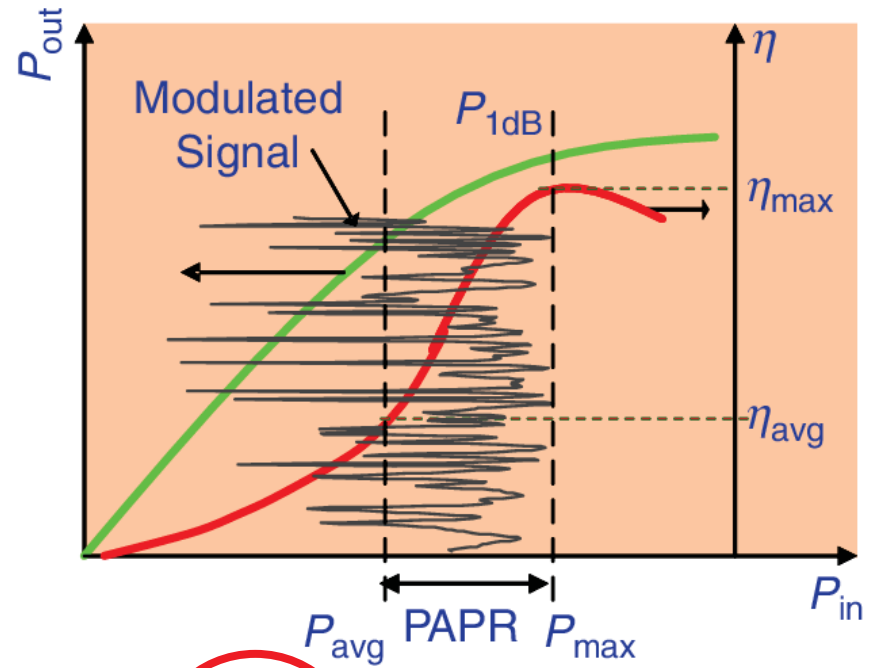
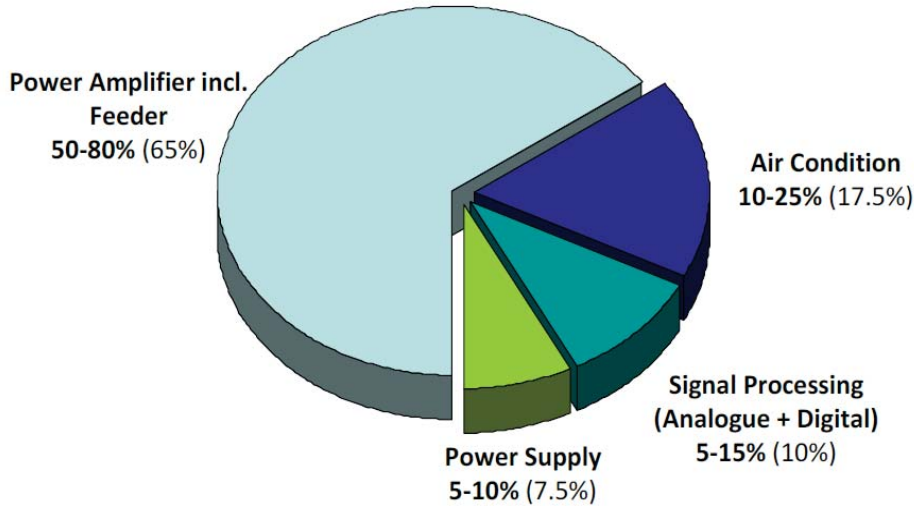


- **32% increase in 5 years...**
 - 65% in BSs

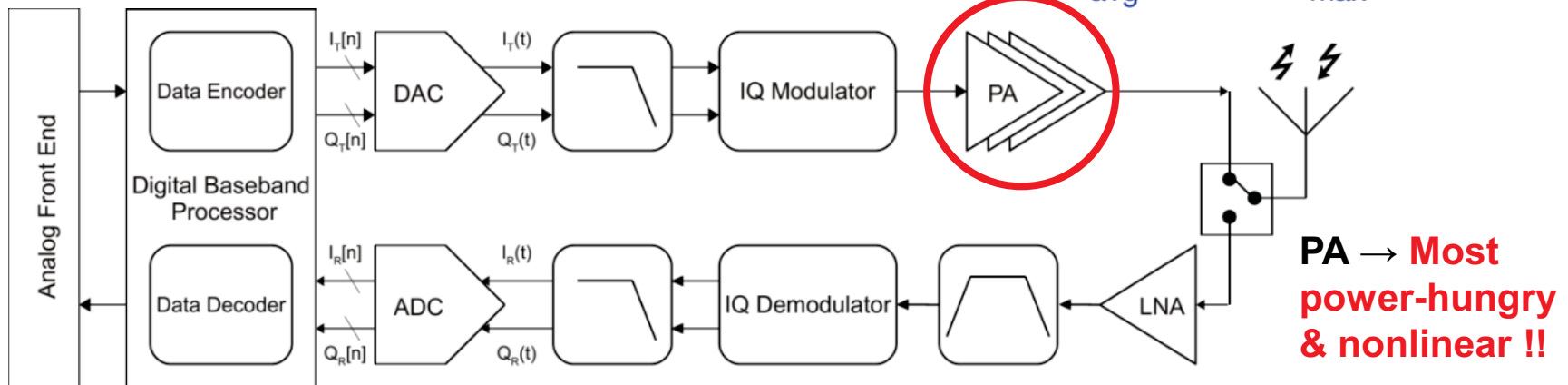


Sources: Vodafone Sustainability Reports 2015 & 2018

The power amplifier linearity/efficiency trade-off



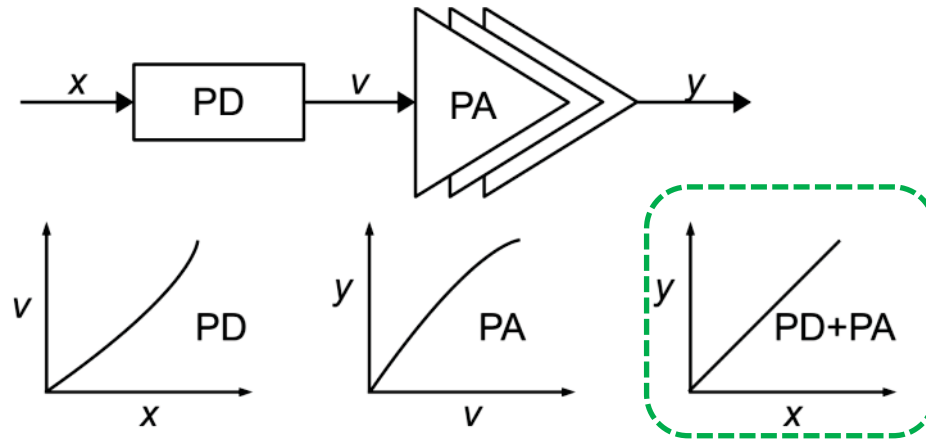
Percentage contribution of total BS power consumption (mean in brackets)



Sources: [Alberto Conte, Alcatel-Lucent Bell Labs France 2012], [Biratane et al. 2010]

Predistortion and Challenges in 5G

Predistortion principle



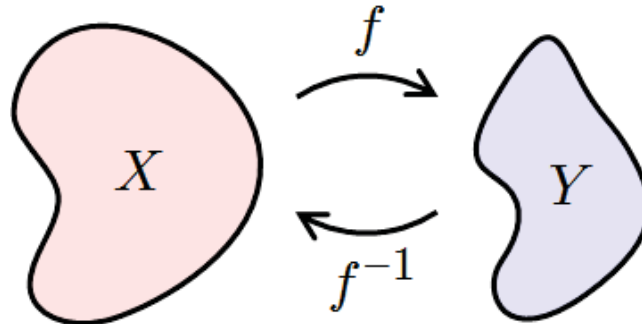
■ Predistortion challenges in 5G BSs

- High signal bandwidths (>100 MHz) \rightarrow Memory Effects \uparrow
- Spectral efficient modulation formats \rightarrow PAPR \uparrow
- Energy efficient \rightarrow Nonlinearity \uparrow
- Low-cost \rightarrow Cheaper PA with Nonlinearity \uparrow

Predistortion with « inverse » functions

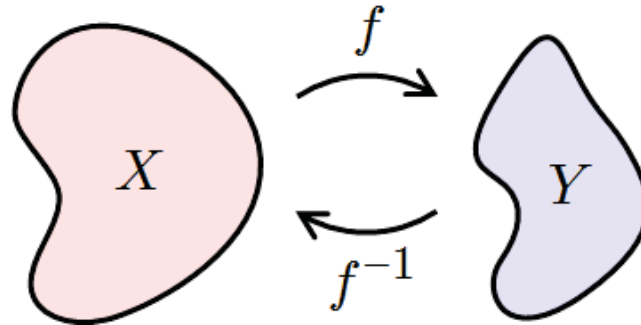
■ Definition

- $g(x)$ is inverse of $f(x)$ when $g(f(x)) = x$
 - $g(x)$ is usually denoted $f^{-1}(x)$ by mathematicians



- $g(x)$ **does not always exist !** Particularly true for nonlinear functions.
 - $g(f(x)) = x$ is usually possible only for a limited range of x
 - Example : $f(x) = x^2$; $g(x) = \sqrt{x}$ only for $x \geq 0$
(Note the different « nature » of $f(\cdot)$ and $g(\cdot)$)

Consequence on predistortion process



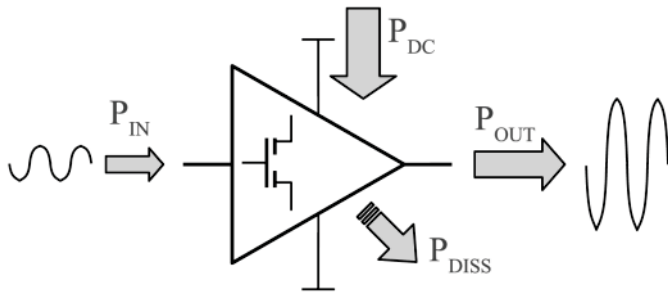
- For DPD systems we only search for approximate inverse
- We need to « know » $f(x)$ to find its inverse $g(x)$
 - First, find an adequate approximation of $f(x)$
 - Second, find an approximate inverse of $f(x)$



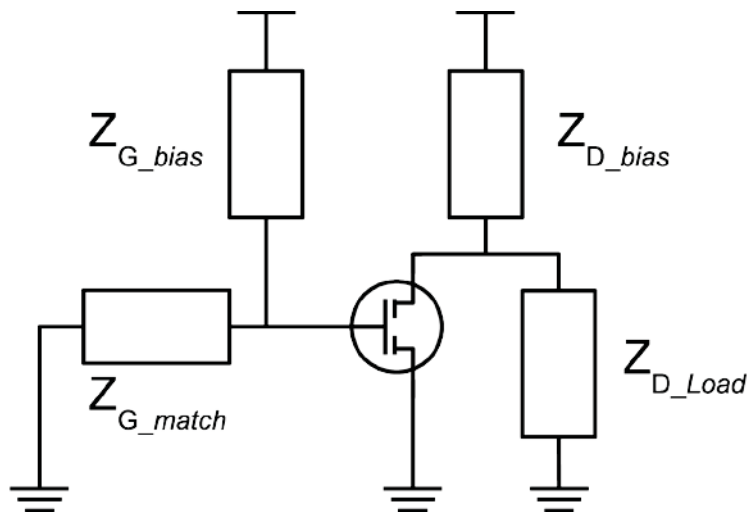
Power amplifier characterization

Considered power amplifier

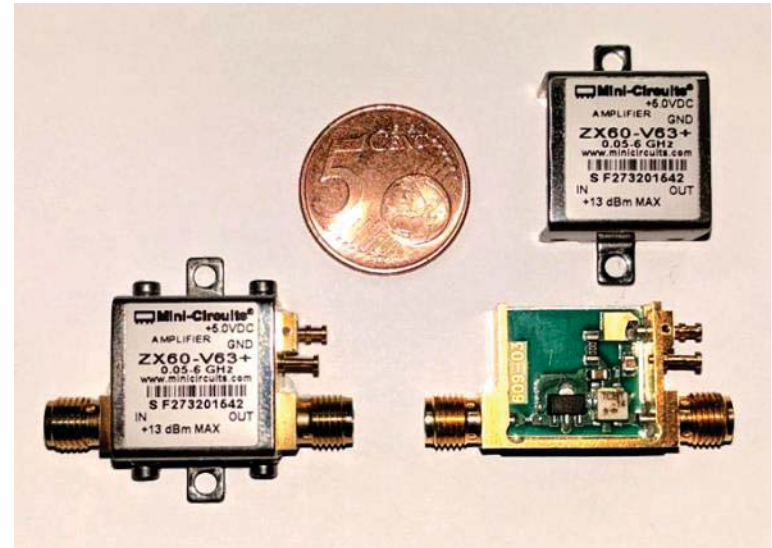
■ Abstract view



■ General circuit model



■ Device example



PA characteristics – more details

Actual PA example

TYPICAL CHARACTERISTICS — 2110–2200 MHz

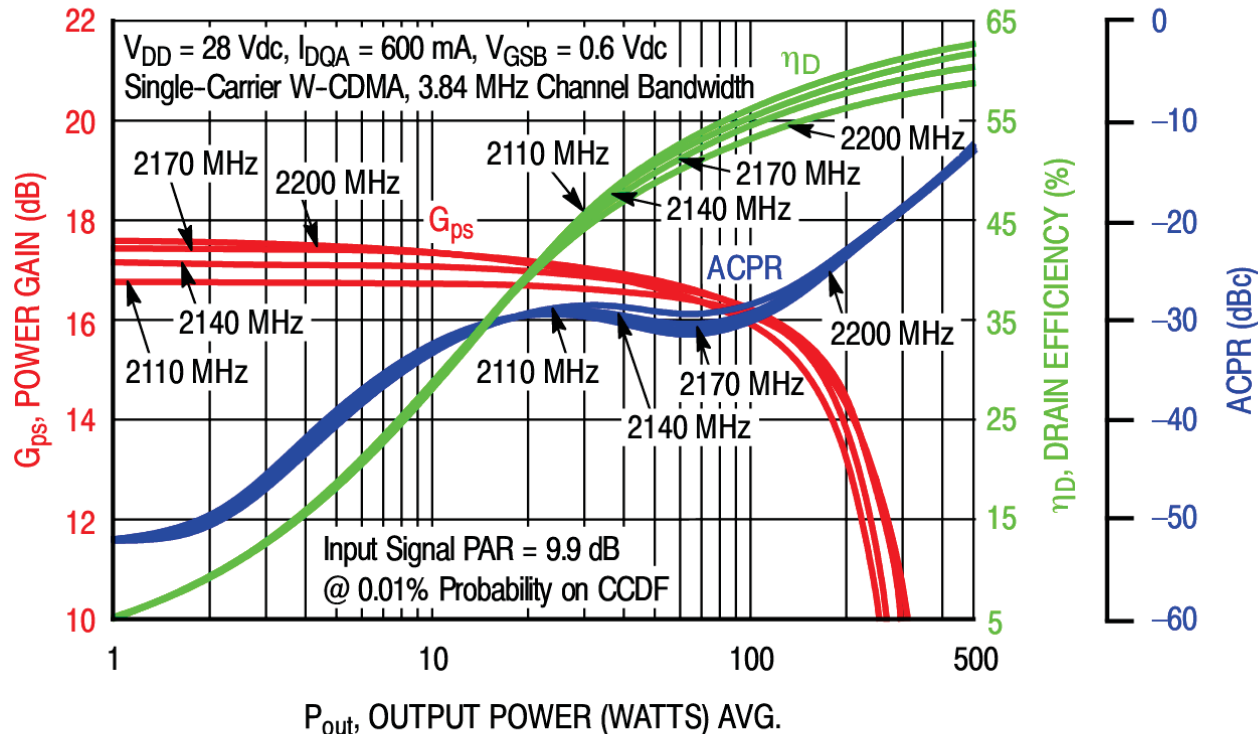


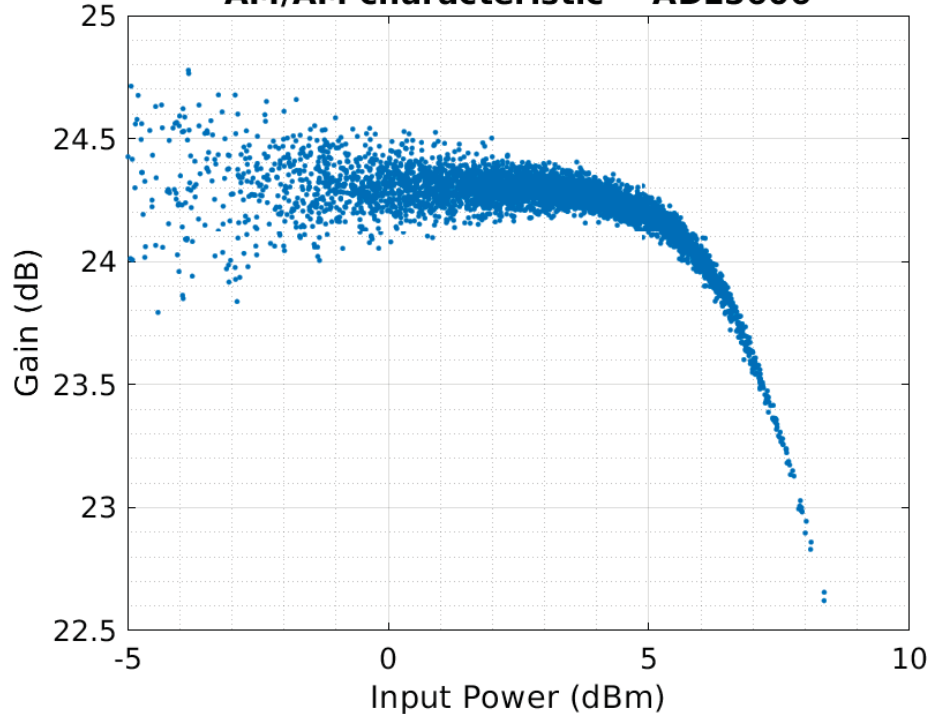
Figure 6. Single-Carrier W-CDMA Power Gain, Drain Efficiency and ACPR versus Output Power

Source: NXP Semiconductors -- RF Power LDMOS Transistor - A3T21H360W23S

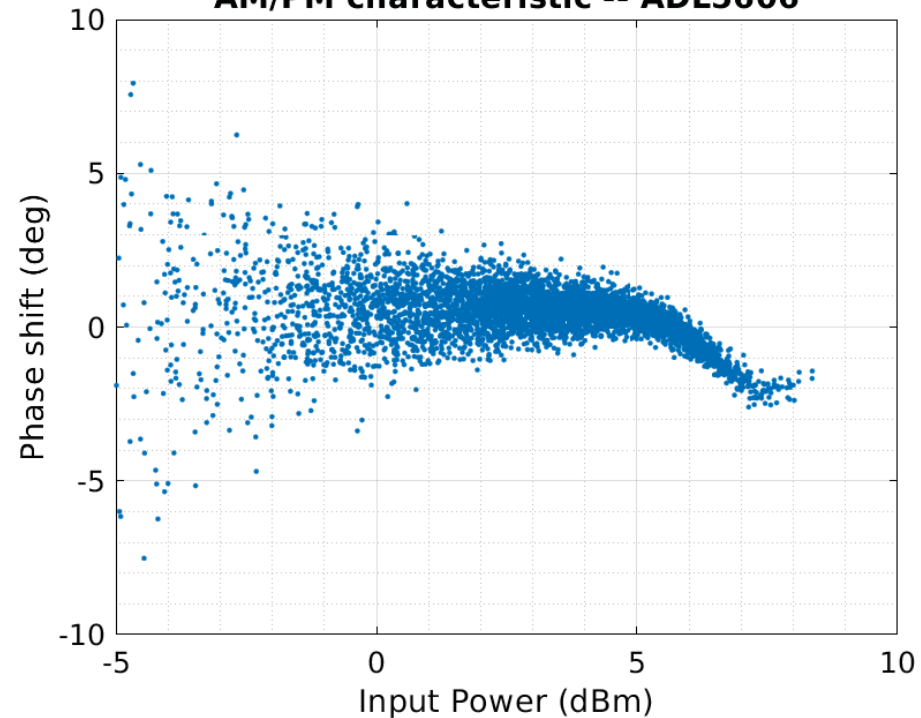
Dynamic characterization with Modulated Signals

■ Amplitude and Phase transfer function

AM/AM characteristic -- ADL5606



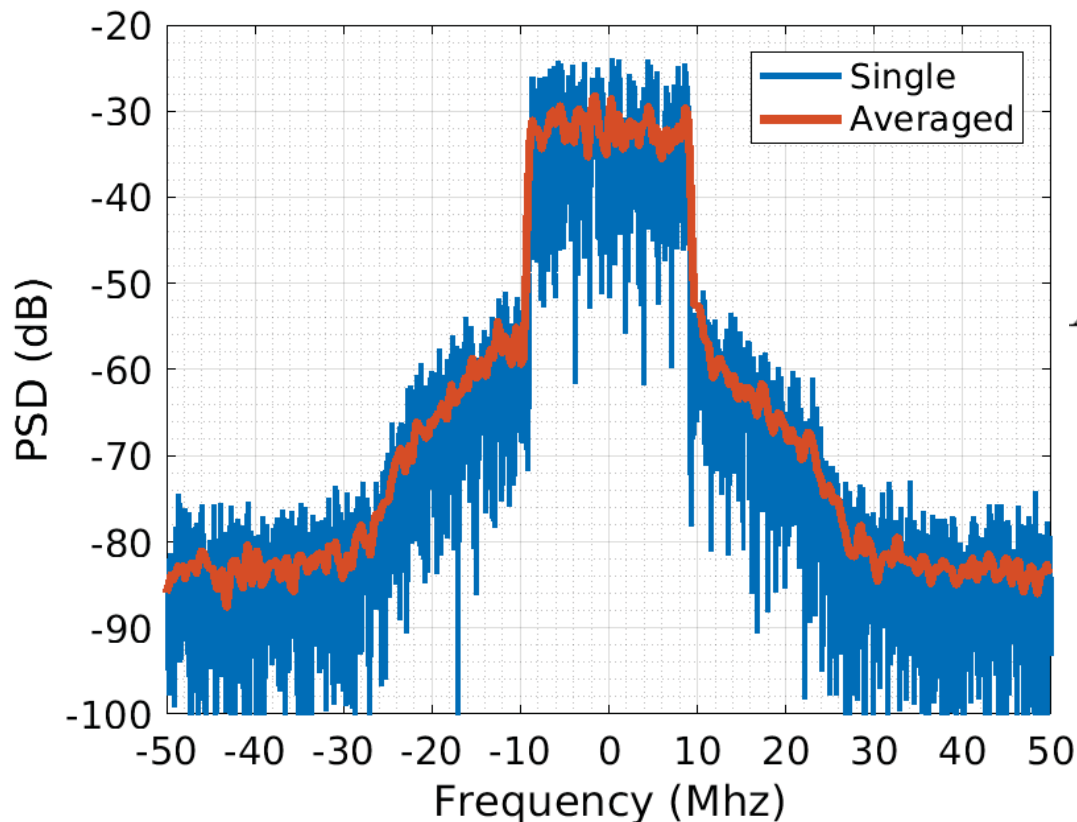
AM/PM characteristic -- ADL5606



Measurement results with
LTE signal BW= 20 MHz, PAPR=12,1 dB

Dynamic characterization with Modulated Signals

■ Adjacent Channel Leakage (or Power) Ratio (ACLR/ACPR)

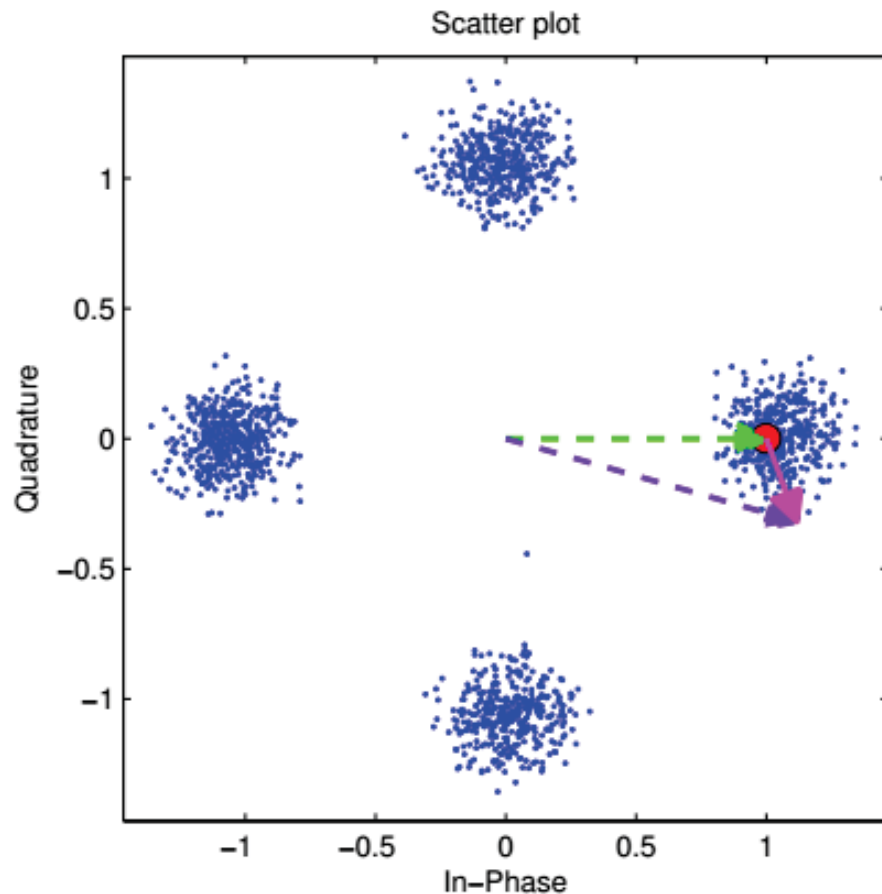


$$ACPR_{dB} = 10 \log_{10} \left(\frac{\int_{BW_{main}} P(f) df}{\int_{BW_{adj}} P(f) df} \right)$$

Example :
5G specifications ACLR > 45 dBc

Dynamic characterization with Modulated Signals

■ Error Vector Magnitude (EVM)



$$EVM(\%) = \sqrt{\frac{\frac{1}{N} \sum_{i=1}^N |S_{actual,i} - S_{ideal,i}|^2}{\frac{1}{N} \sum_{i=1}^N |S_{ideal,i}|^2}}$$

Example :

EVM < 12.5% pour LTE-A pour 16-QAM

Linearity requirements for 3G/4G/5G base stations

TABLE 1. Linearity requirements in typical 3G/4G base stations.

Standard	UMTS [37]	WiMAX [38]	LTE [39]	LTE-A [40]
Multiplexing Type	WCDMA	OFDMA	OFDMA	OFDMA
Single-channel bandwidth (MHz)	5	1.25, 5, 10, 20	1.4, 3, 5, 10, 15, 20	20
Maximum aggregated bandwidth (MHz)	60 (12-band)	20	20	100 (5-band)
In-band requirement EVM ^a (%)	< 12.5	< 6	< 12.5	< 12.5
Out-of-band requirement ACLR1 ^b (dBc)	< -45	< -45	< -45	< -45
ACLR2 ^c (dBc)	< -50	< -50	< -45	< -45

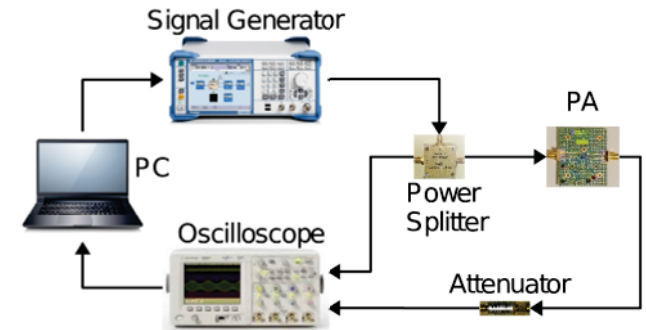
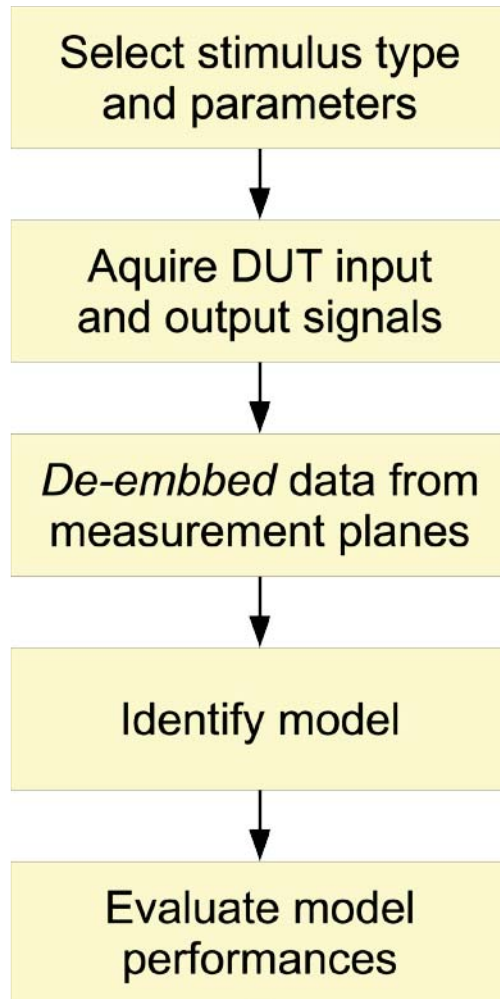
^a Based on the 16-QAM modulation scheme.
^b Refers to the first adjacent channel leakage power ratio.
^c Refers to the second adjacent channel leakage power ratio.

Source: 2014 - Guan, Zhu - Green Communications: Digital Predistortion for Wideband RF Power Amplifiers



PA modeling for Digital Predistortion

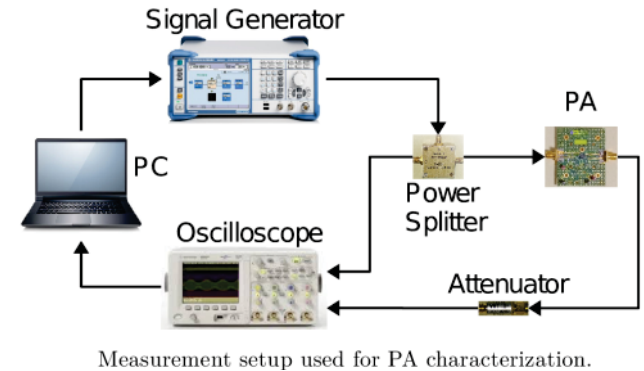
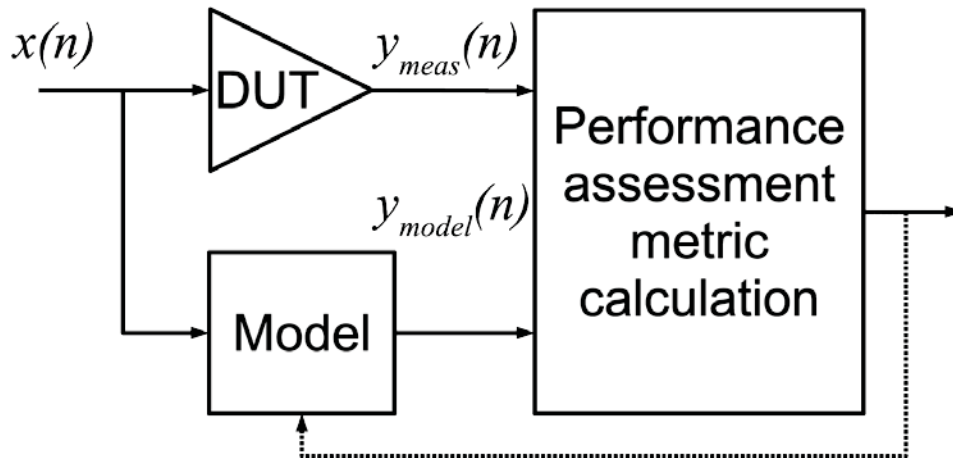
Characterization and modeling method



Measurement setup used for PA characterization.

Source: 2015 - Ghannouchi, Hammi, Helaoui - Behavioral Modeling and Predistortion of Wideband Wireless Transmitters

Modeling accuracy assessment



■ Time domain metric

- Normalized Mean Square Error

$$-NMSE = 10 \log_{10} \left(\frac{\sum_{\ell=1}^L |y_{model}(\ell) - y_{meas}(\ell)|^2}{\sum_{\ell=1}^L |y_{meas}(\ell)|^2} \right)$$

Nonlinear models – the most popular

■ Baseband equivalent signal

$$x(t) = A(t) e^{j\theta(t)} \quad (A(t), \theta(t) \in \mathbb{R})$$

- Memoryless systems

$$y(t) = x(t) \cdot G\{A(t)\} = A(t) G_A\{A(t)\} e^{j(\Phi_G\{A(t)\} + \theta(t))}$$

- Polar Saleh Model

$$G_A\{A(t)\} = \frac{\alpha_a}{1 + \beta_a A^2}$$

$$\Phi_G\{A(t)\} = \frac{\alpha_\Phi}{1 + \beta_\Phi A^2}$$

- Polynomial

$$y(t) = \sum_{k=1}^N a_k |x(t)|^{k-1} x(t)$$

- Odd order only Polynomial

$$y(t) = \sum_{k=0}^N a_k |x(t)|^{2k} x(t)$$

Nonlinear models – the most popular

■ Memory polynomial based models

- Memory polynomial

$$y_{MP}(n) = \sum_{m=0}^M \sum_{k=1}^K a_{mk} x(n-m) |x(n-m)|^{k-1}$$

- Odd orders only memory polynomial

$$y_{MP}(n) = \sum_{m=0}^M \sum_{k=0}^K a_{mk} x(n-m) |x(n-m)|^{2k}$$

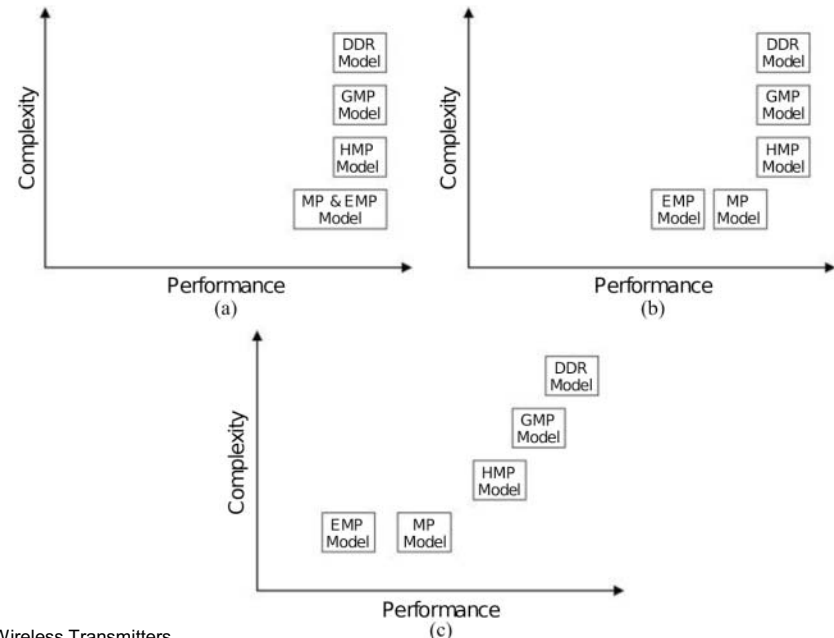
Nonlinear models – the most popular

■ Volterra series models

$$y_{\text{volterra}}(n) = \sum_{k=1}^K \sum_{m_1=0}^M \cdots \sum_{m_k=0}^M h_k(m_1, \dots, m_k) \prod_{j=1}^k x(n - m_j)$$

■ Many variations

- Comparison between memory polynomial based models. (a) Weakly nonlinear memory effects, (b) mildly nonlinear memory effects, and (c) strongly nonlinear memory effects



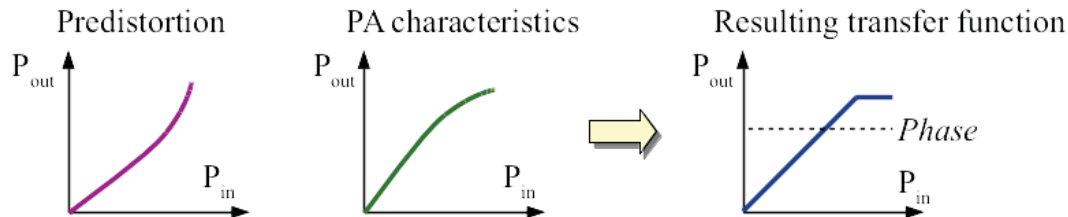
Source: 2015 - Ghannouchi, Hammi, Helaoui - Behavioral Modeling and Predistortion of Wideband Wireless Transmitters



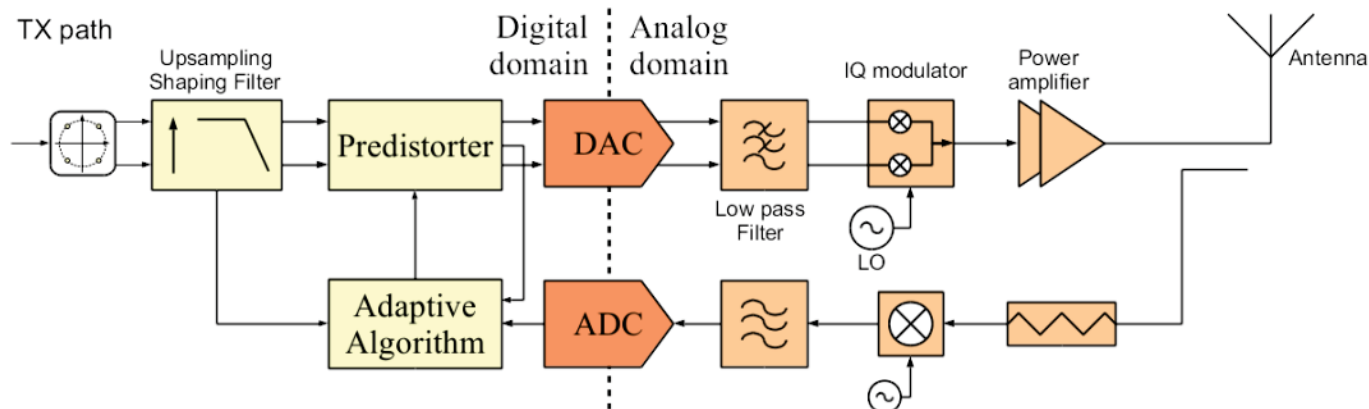
The digital predistortion technique

Fundamental elements

■ Principle (reminder)



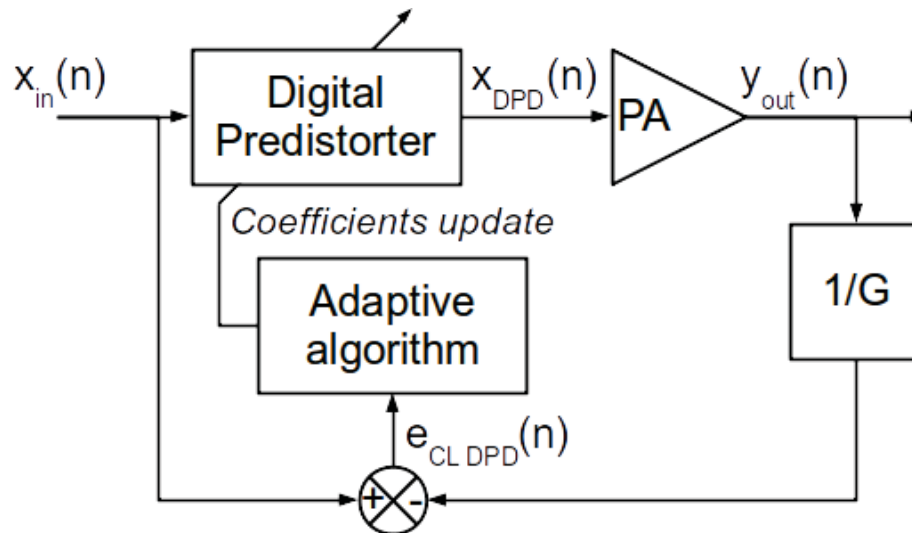
■ Transmitter architecture



- Predistorter's nonlinear characteristics and the PA must match
- Nonlinearity of the PA varies with time due to changes in the drive signal, aging, or drifts
 - Track variations and update predistortion function

DPD architectures – Closed loop

■ Closed loop (direct) architecture



■ Advantages

- No modeling of the PA
- Compensates for time-varying effects

■ Drawbacks

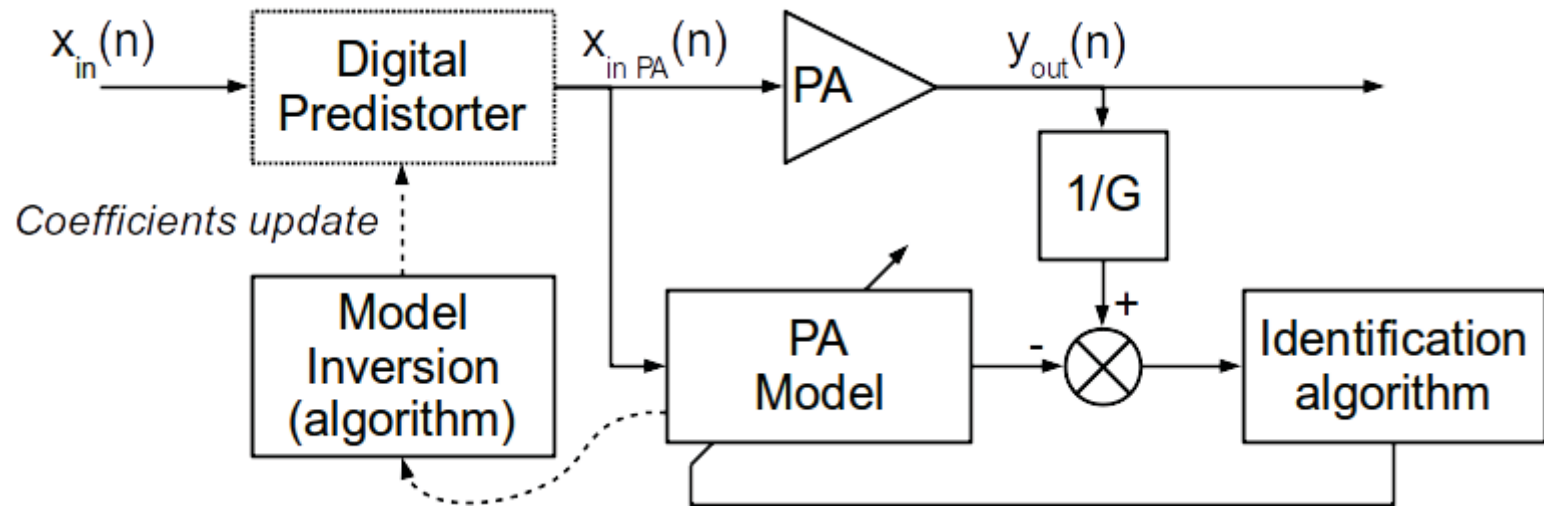
- Suitable for memoryless systems
- No direct relation between error signal and predistorter's coefficients

References:

- C. D. Presti, D. F. Kimball and P. M. Asbeck, "Closed-Loop Digital Predistortion System With Fast Real-Time Adaptation Applied to a Handset WCDMA PA Module," in IEEE TMTT ; March 2012.
- Fadhel M. Ghannouchi , Oualid Hammi , Mohamed Helaoui, "Behavioral Modeling and Predistortion of Wideband Wireless Transmitters", John Wiley & Sons ; Jul 2015

DPD architectures – Open loop

■ Direct (PA) learning architecture

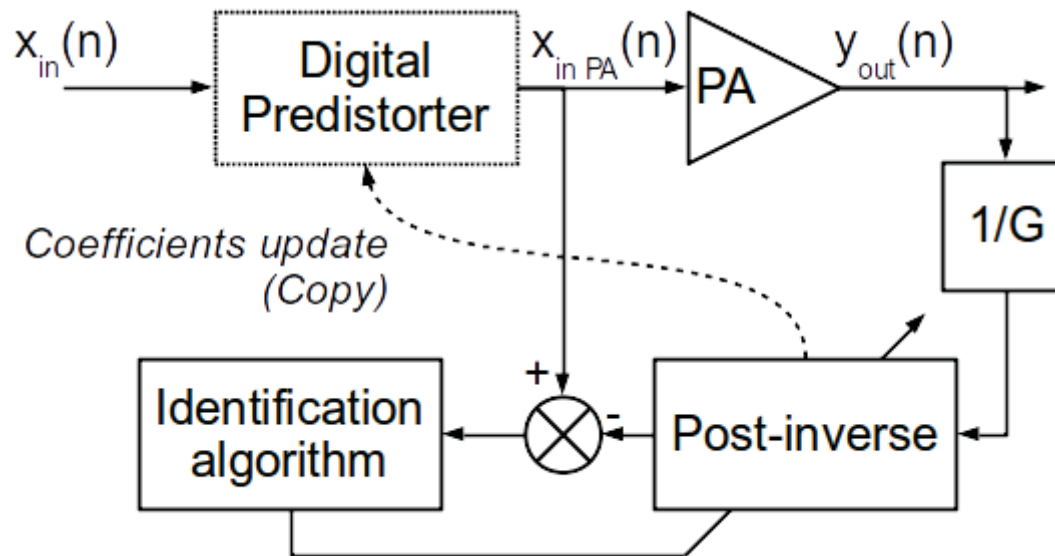


■ « 2 steps » learning

- PA model is identified first ; then the inverse is derived from the PA
- A theoretical inverse model can be computed as the p-th order inverse
 - Suitable for memoryless systems

DPD architectures – Open loop

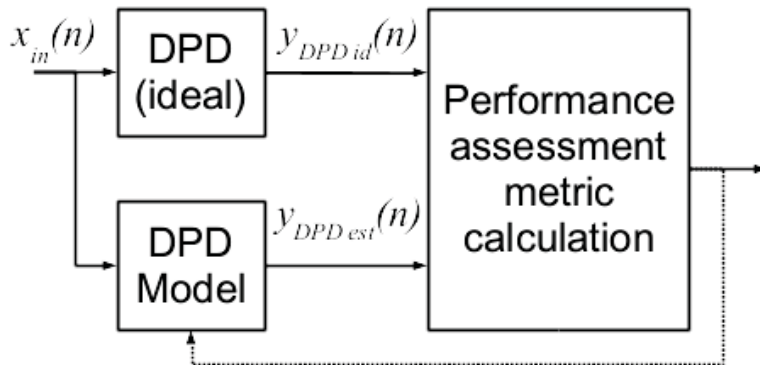
■ Indirect learning architecture



■ « 1 step » learning

- the PD function is directly derived by calculating the post-inverse of the PA
- Suitable for memory systems

Computation methodology of the inverse

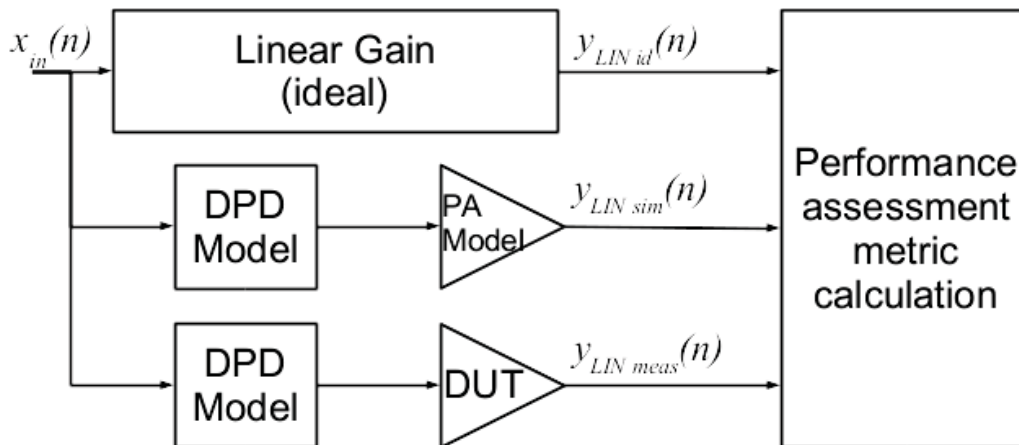


- Match $y_{DPD,id}$ and $y_{DPD,est}$
- Example of model oriented metrics

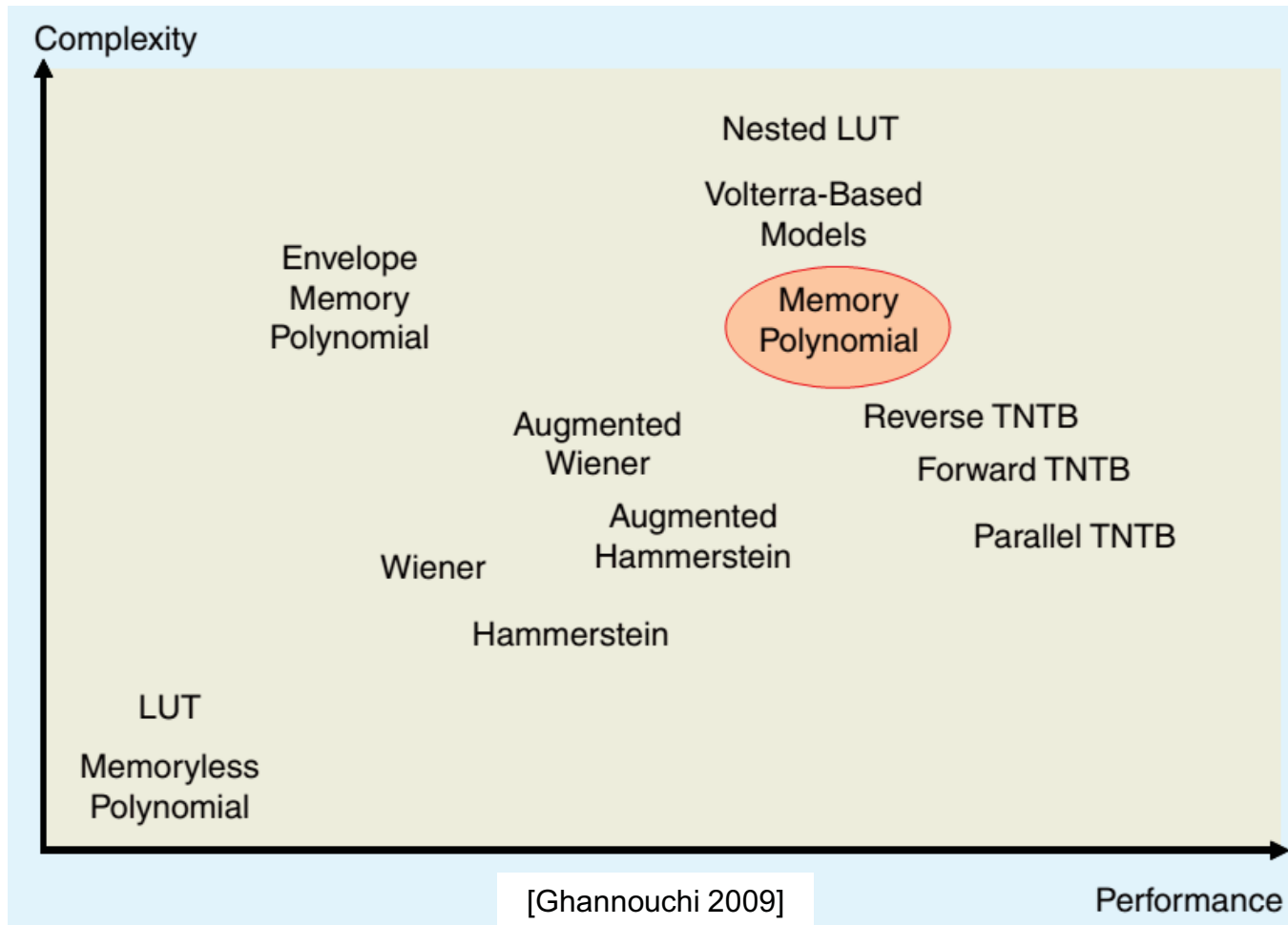
- Normalized Mean Square Error

– $NMSE =$

$$10 \log_{10} \left(\frac{\sum_{\ell=1}^L |y_{est}(\ell) - y_{id}(\ell)|^2}{\sum_{\ell=1}^L |y_{id}(\ell)|^2} \right)$$



Conventional DPD models



Objective functions and computational aspects

- **Least-squares (LS):** $\min_{\vec{A}} \|\vec{y}(n) - \Gamma_x(n) \cdot \vec{A}\|^2$
 - Common approaches: Moore–Penrose pseudo-inverse $A^+ = (A^H A)^{-1} A^H$, QR decomposition, SVD
 - Significant computational complexity ($\mathcal{O}((M \times K)^3)$)
- **Least-mean-squares (LMS):** $\min_{\vec{A}} E[|y(n) - \vec{A}^H \cdot \vec{\gamma}_x(n)|^2]$
 - Iterative approach:
$$\begin{aligned} e(n) &= y(n) - \vec{A}^H(n) \cdot \vec{\gamma}_x(n) \\ \vec{A}(n+1) &= \vec{A}(n) + \mu e^*(n) \vec{\gamma}_x(n) \end{aligned}$$
 - Reduced computational complexity ($\mathcal{O}(M \times K)$)
 - Convergence issues (μ)

Objective functions and computational aspects

■ Recursive (weighted) least-squares (RLS):

$$\min_{\vec{A}} \sum_{i=0}^k \lambda^{k-i} |y(i) - \vec{A}^H(i) \cdot \vec{\gamma}_x(k)|^2$$

- Iterative approach:

$$e(k) = y(k) - \vec{A}^H(k-1) \cdot \vec{\gamma}_x(k)$$

$$\vec{s}(k) = \mathbf{S}(k-1) \cdot \vec{\gamma}_x(k)$$

$$\vec{\kappa}(k) = \frac{\vec{s}(k)}{1 + \vec{\gamma}_x^H(k) \cdot \vec{s}(k)}$$

$$\mathbf{S}(k) = \frac{1}{\lambda} \left[\mathbf{S}(k-1) - \frac{\vec{\kappa}(k) \cdot \vec{\kappa}^H(k)}{\lambda + \vec{\gamma}_x^H(k) \cdot \vec{s}(k)} \right]$$

$$\vec{A}(k) = \vec{A}(k-1) + e^*(k) \cdot \vec{\kappa}(k)$$

- Increased computational complexity ($\mathcal{O}((M \times K)^2)$)
- Robust convergence



Conclusion

■ Main learning architectures

- DLA
- ILA

■ Choosing an appropriate minimization method requires a reasonable amount of knowledge of the specific identification problem

- Stability, speed of convergence and implementation complexity can largely vary between the different methods.

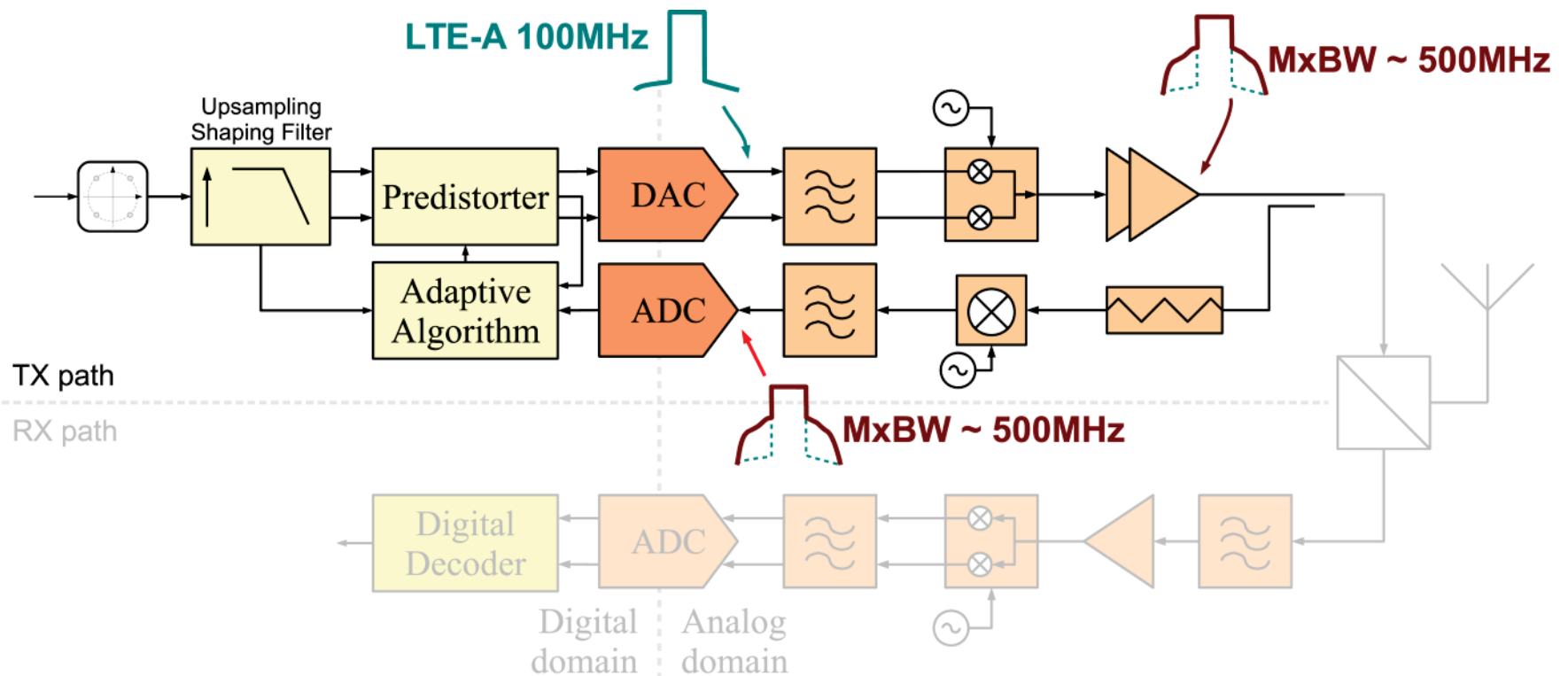


DPD challenges & Solutions for 5G

TX feedback path : the bottleneck

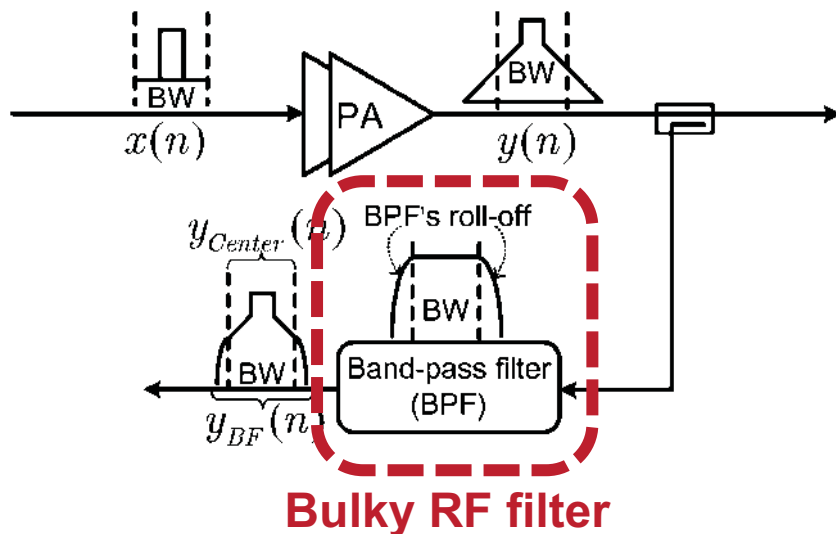
■ ADC bandwidth feedback limitation

- Learning phase

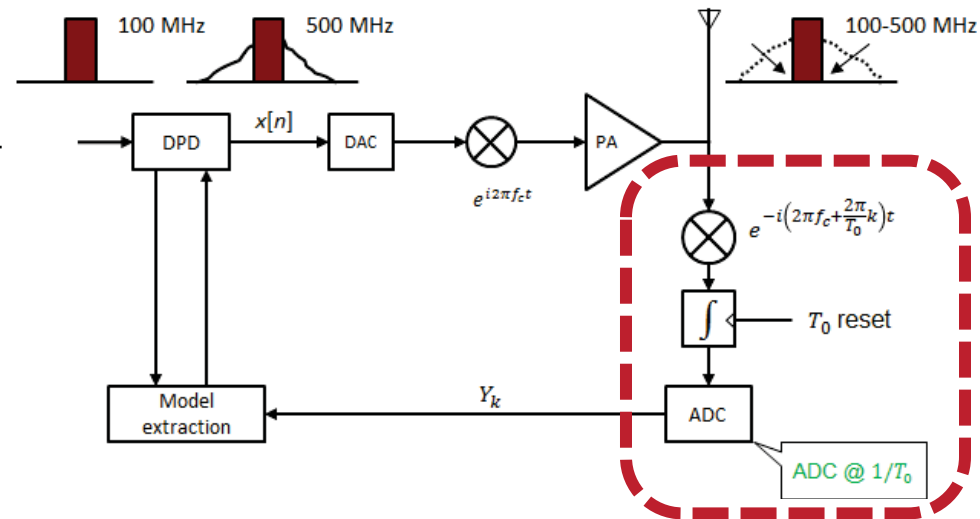


TX feedback path : Band limited and/or low rate DPD techniques

- Band-limited feedback [Ma, 2014], [Zhang, 2015]



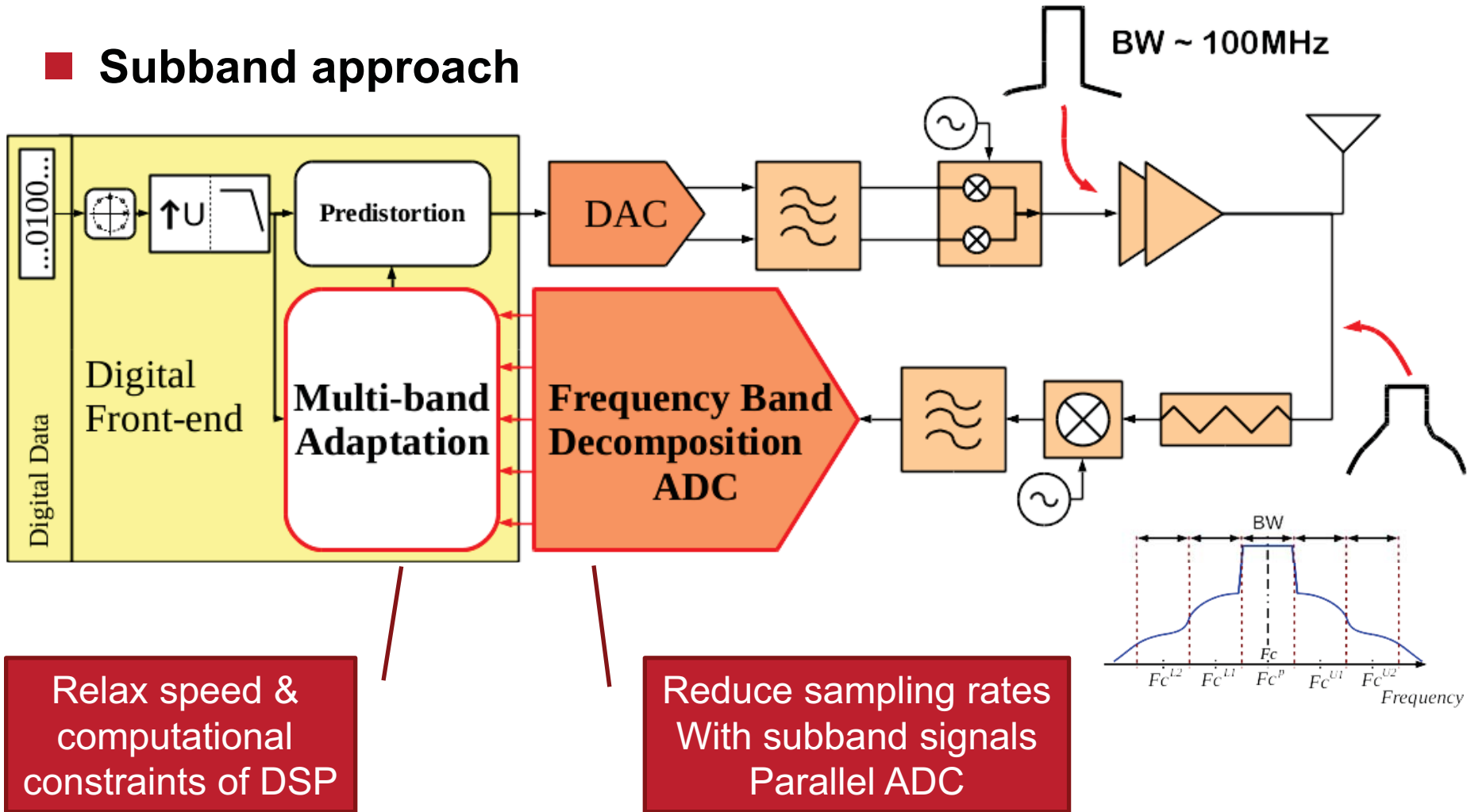
- Low rate identification [Hammler, 2014]



- Lower ADC sampling rate 😊
- Compute PA model first 😞
- Sampling frequency of PA model = Fullband of distorted signal 😞

TX feedback path : New low rate DPD architecture

■ Subband approach

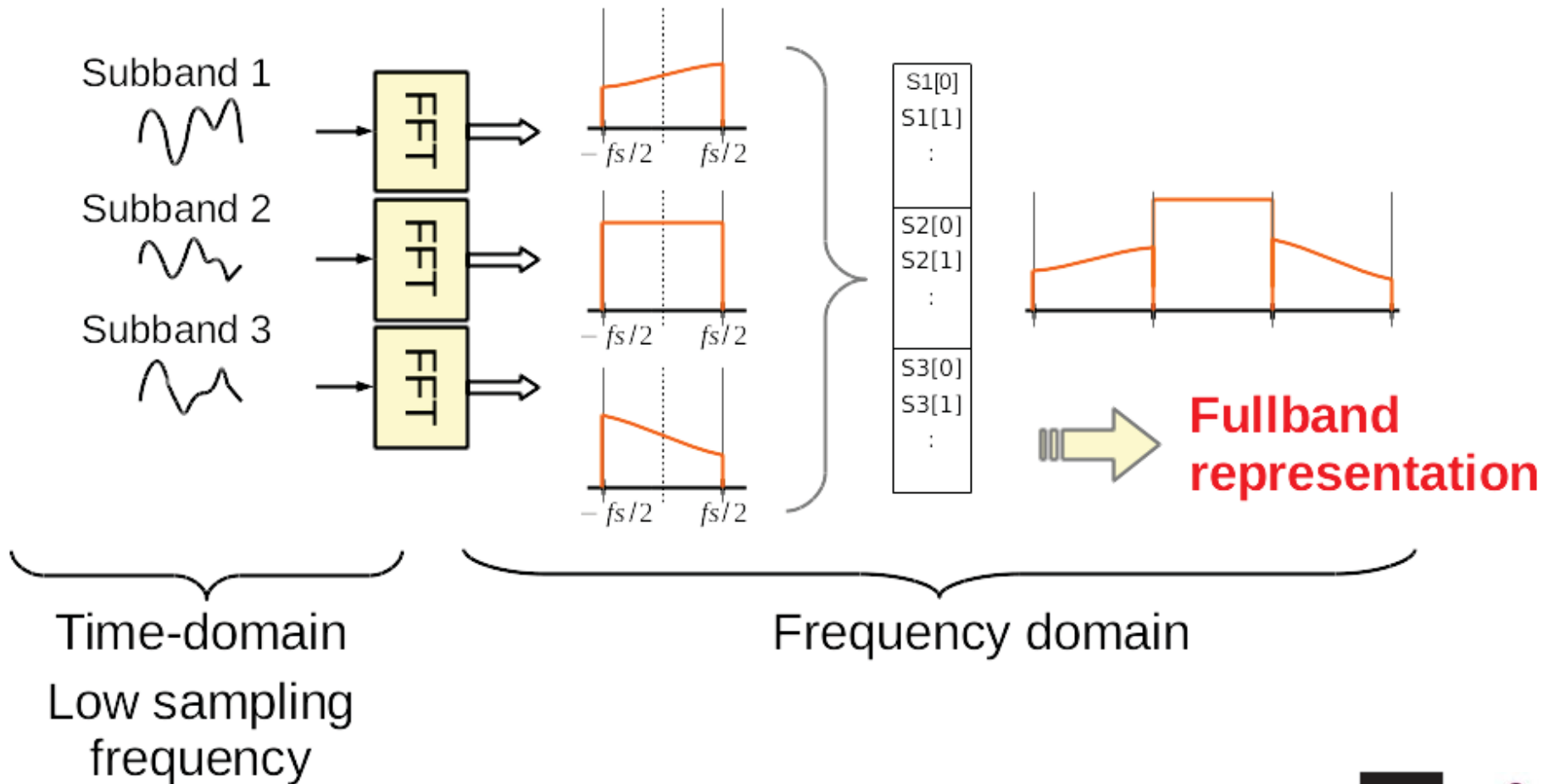


Relax speed & computational constraints of DSP

Reduce sampling rates With subband signals Parallel ADC

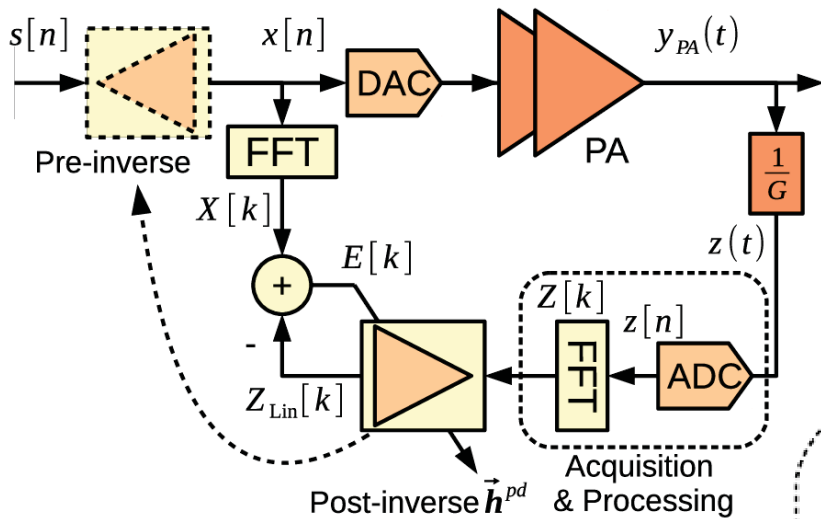
TX feedback path : Solution to the signal reconstruction

■ Frequency domain



TX feedback path : New subband DPD architecture

■ FFT-based subband digital predistortion

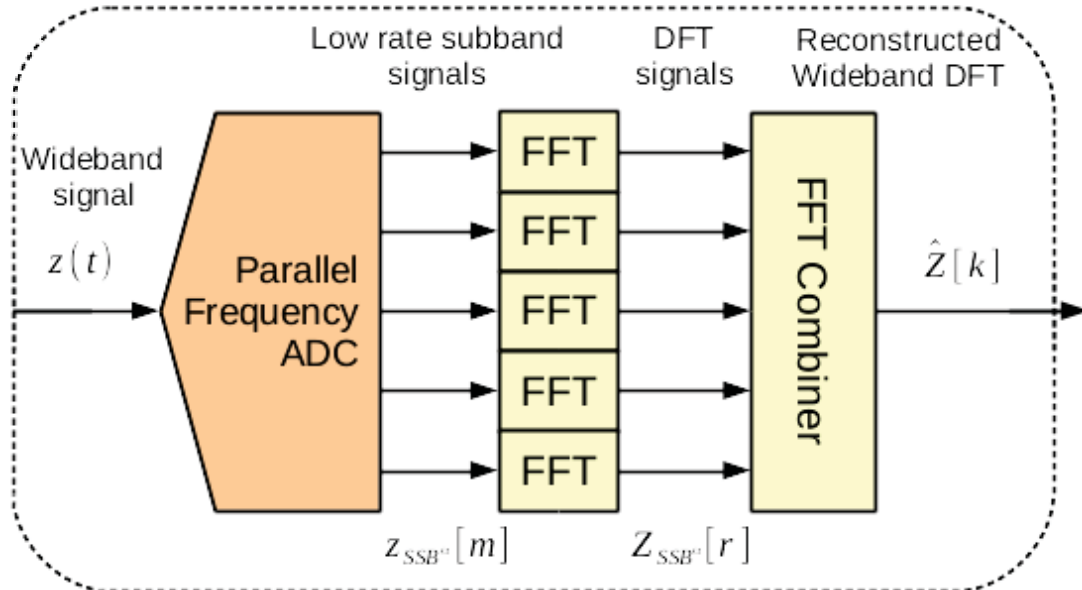


$$\vec{X} = \text{fft}(\vec{x})$$

$$\vec{Z}_{\text{Lin}} = \text{fft}(\vec{z}_{\text{Lin}})$$

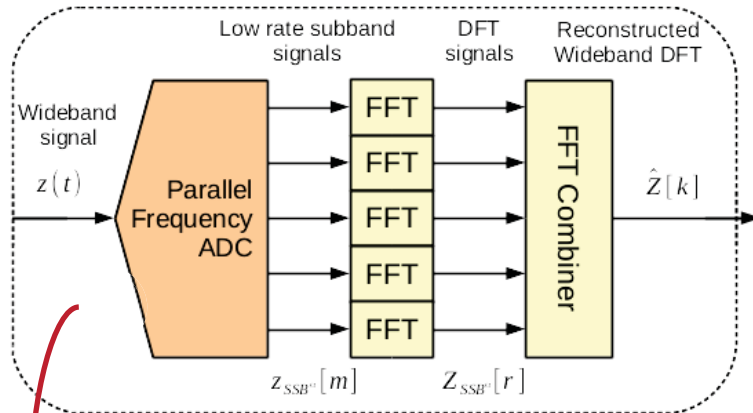
$$\vec{Z}_{\text{Lin}} \equiv \Gamma_V \vec{h}^{pd} = \vec{X}$$

$$\Gamma_V \sim (\text{fft}(\vec{z}) \text{fft}(\vec{z}|\vec{z}^2) \text{fft}(\vec{z}|\vec{z}^4) \dots)$$

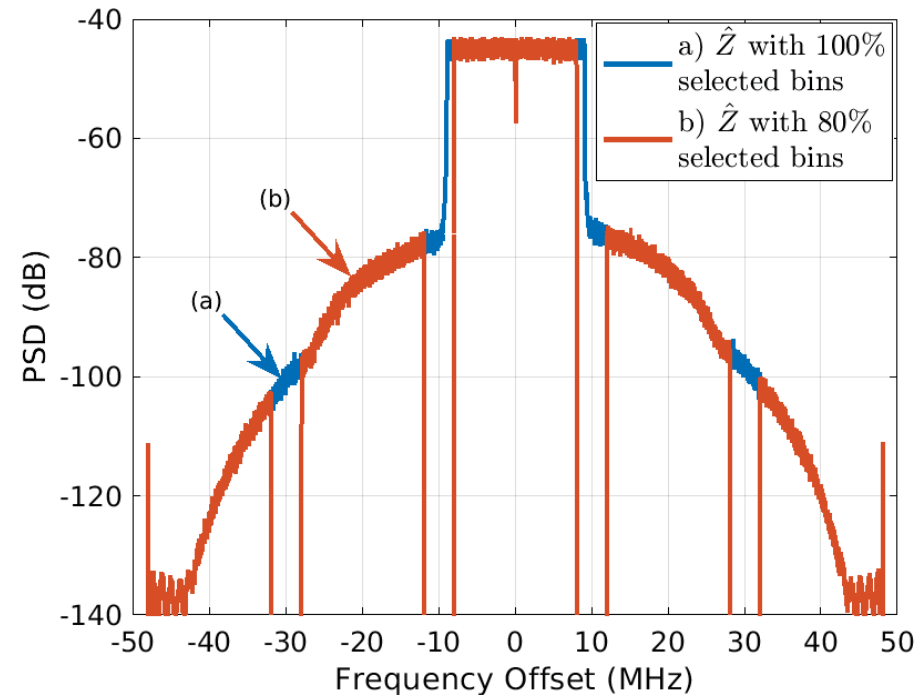
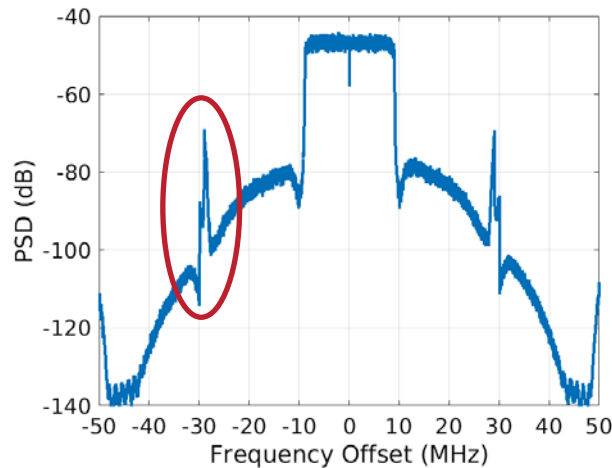


TX feedback path : FFT-based subband DPD – Mitigating subband edge effects

■ Limited subband signal reconstruction



Non ideal



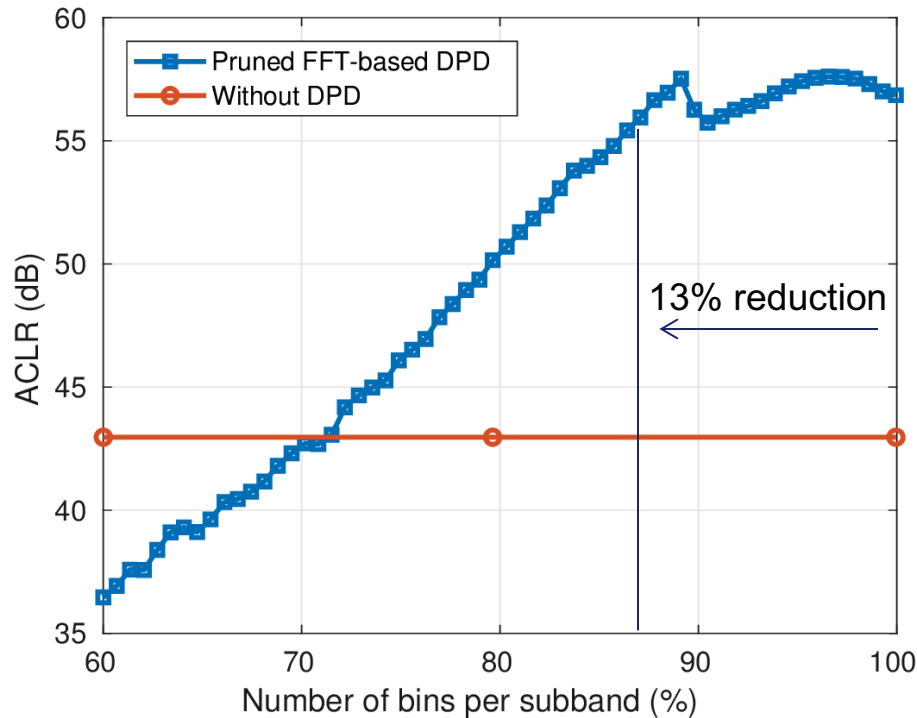
Exclusion of subband edges

$$\vec{Z}_{\text{Lin}} \equiv \widetilde{\Gamma}_V \vec{h}^{pd} = \vec{X}$$

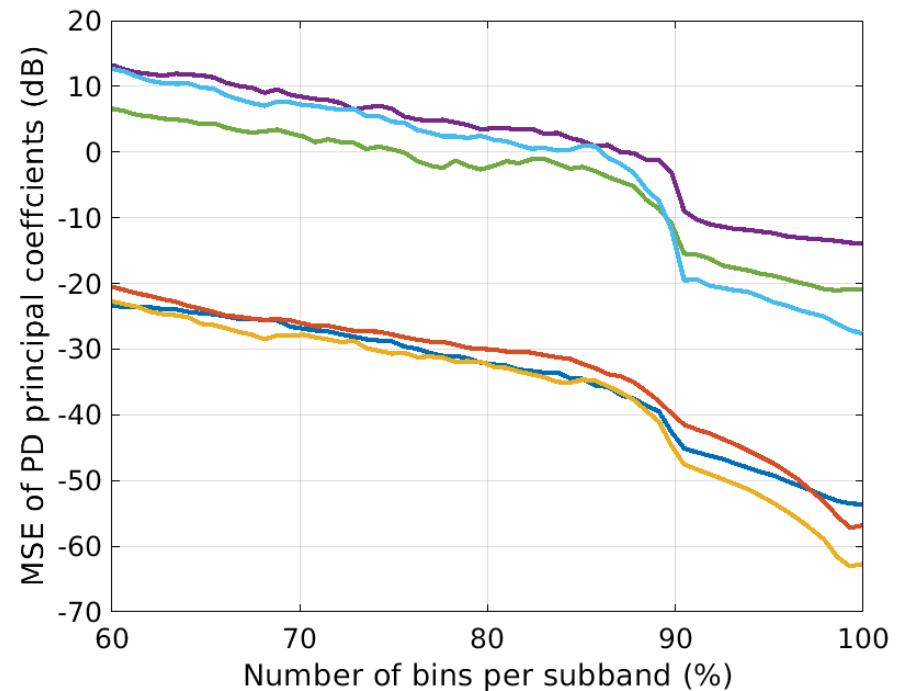
$$\widetilde{\Gamma}_V \sim (\widetilde{\text{fft}}(\vec{z}) \quad \widetilde{\text{fft}}(\vec{z}|\vec{z}|^2) \quad \widetilde{\text{fft}}(\vec{z}|\vec{z}|^4) \quad \dots)$$

TX feedback path : FFT-based subband DPD

– Linearization performance

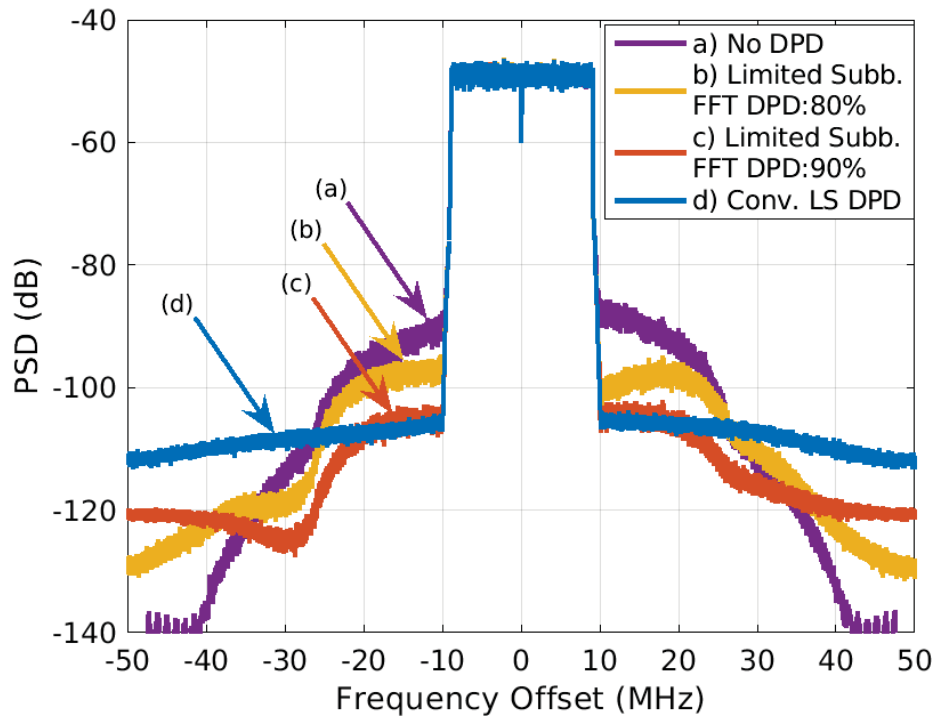


Correction performance of
FFT-based Limited Subband DPD

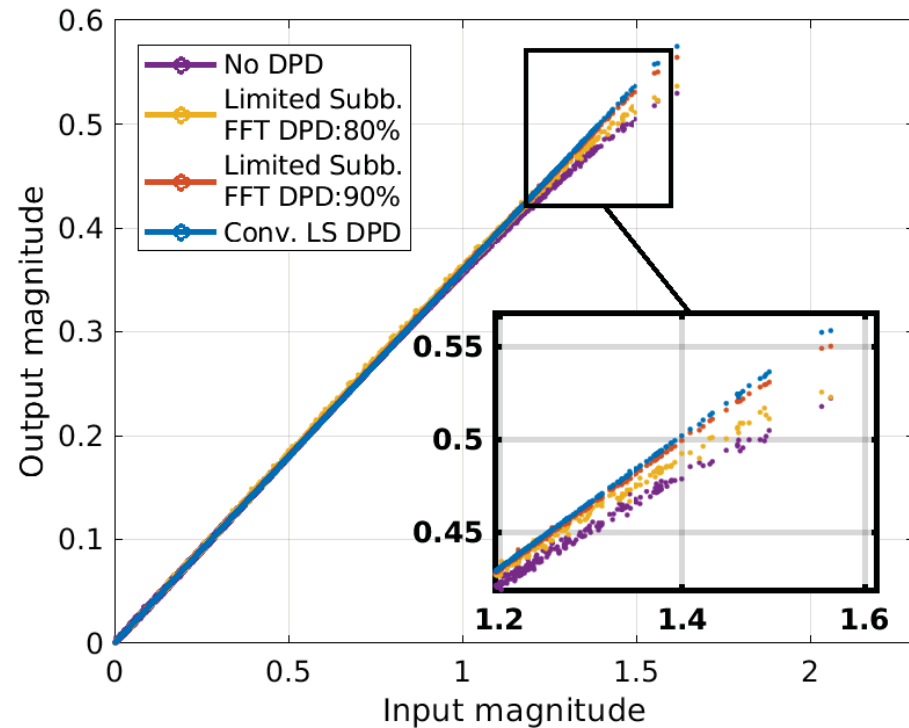


Error between ideal PD and
FFT-based Limited Subband PD

TX feedback path : FFT-based subband DPD – Linearization performance



Output spectra comparison

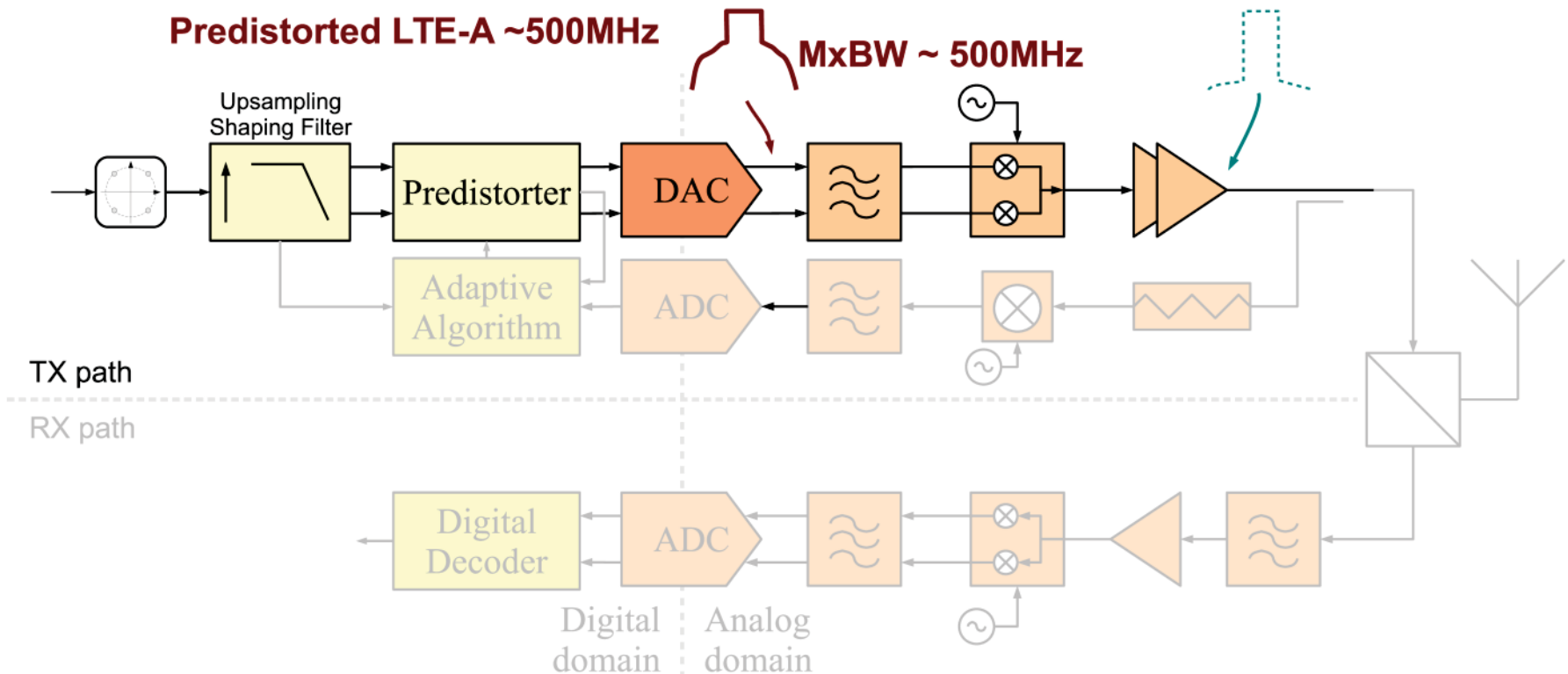


AM/AM comparison

RX forward path : the bottleneck

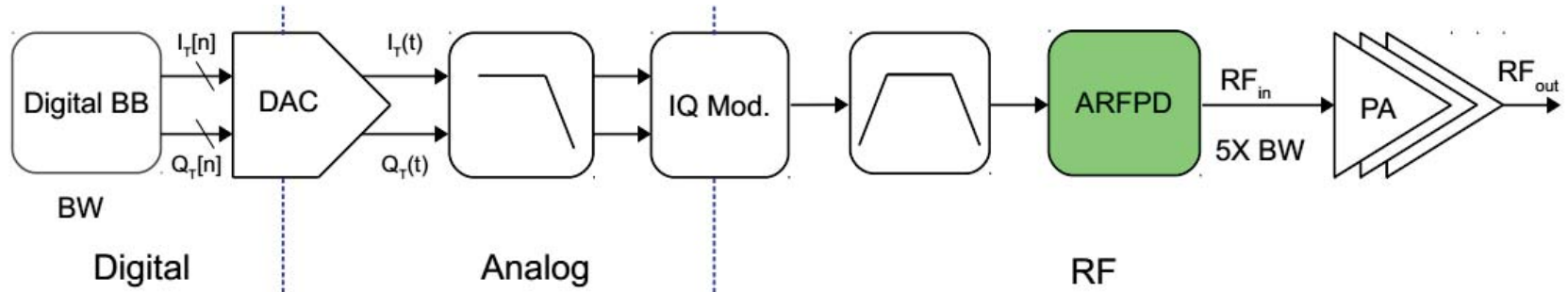
■ DAC bandwidth limitation

- Correction phase



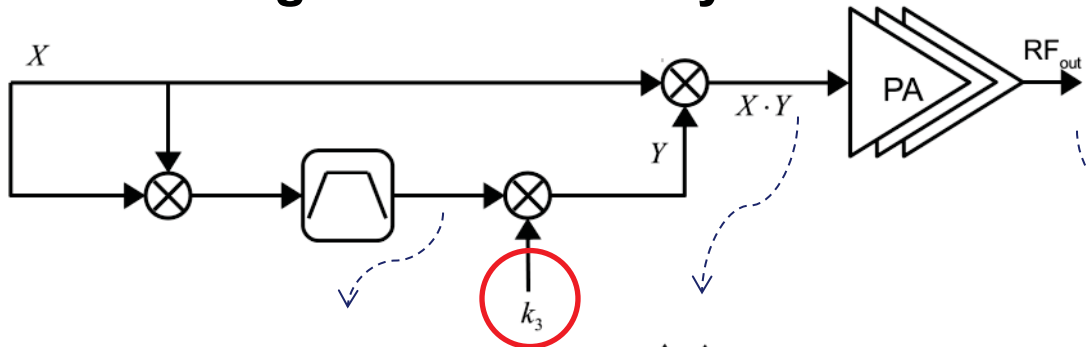
Basic Principle of Analog RF Predistortion

ARFPD performed mostly in RF, with baseband analog correction signal

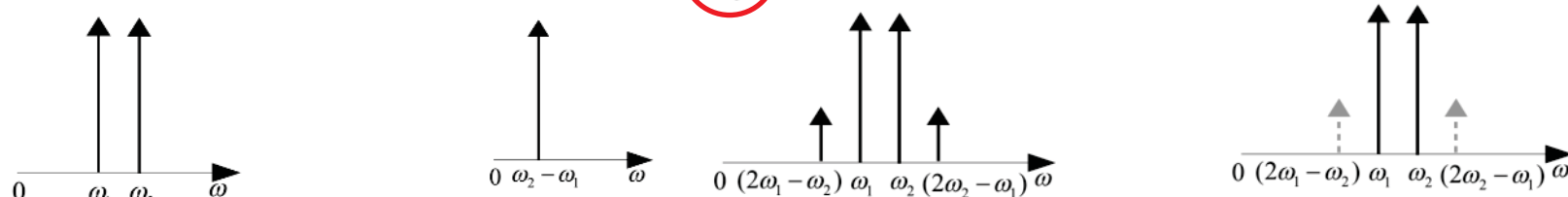


- Analog multipliers are used to generate correction signal

For a two-tone signal with memoryless PA



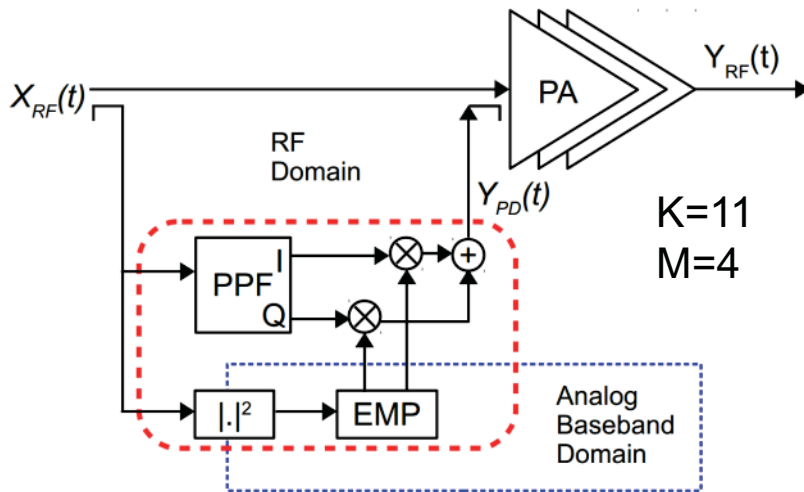
Choose k_3 based on PA nonlinearity



Memory-Aware ARFPD

- Roger ISSCC 2013
- CMOS IC implementation in 180nm
 - Power consumption = 200 mW
 - Max. sig. BW = 20 MHz
- EMP based predistorter

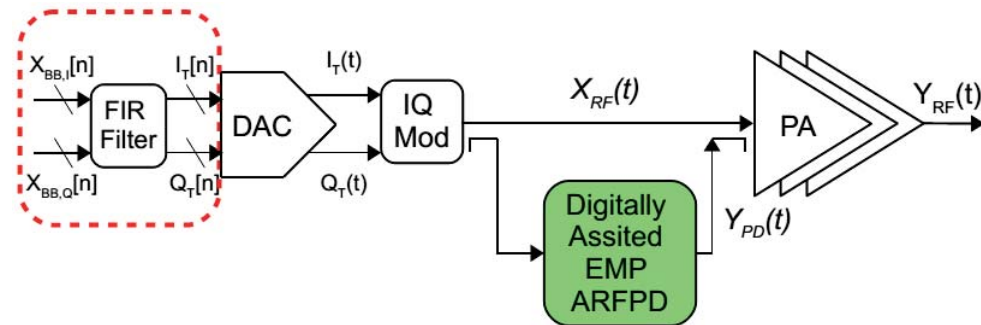
$$Z_{PD,EMP}(t) = x(t) \sum_{k=0}^{K-1} \sum_{q=0}^Q a_{kq} |x(t - t_p)|^k$$



- Huang et al. TMTT 2015
- Measurement-instruments-based ARFPD platform
 - Max. sig. BW = 80 MHz
- FIR filter in digital BB added to EMP
 - Improves linear memory distortion correction performance

$$Z_{PD,FIR-EMP}[n] = \sum_{l=0}^L h_l x[n-l] \times$$

$$\sum_{k=0}^{K-1} \sum_{q=0}^Q a_{kq} \left| \sum_{l=0}^L h_l x[n-l-q] \right|^k$$



Advantages and Disadvantages of ARFPD

Advantages:

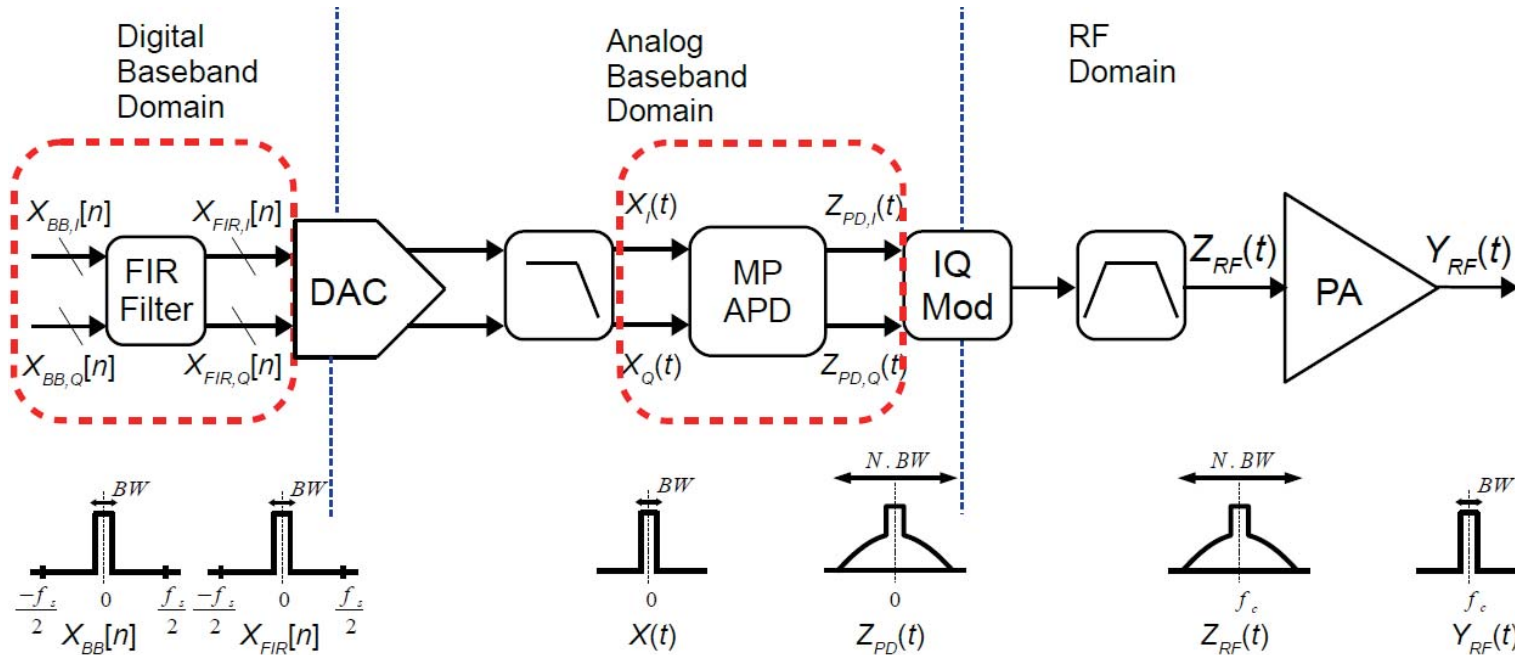
- Digital baseband clocked at normal clock rates
- Relaxed specifications of the entire Tx

} → Overall Low Power!!

Disadvantages:

- In practice only EMP can be used → limited performance
 - MP needs Q number of RF delays and RF vector multipliers
- Analog implementation → noise, mismatch, offsets, PVT variations
- Inherent nonlinearity is caused by
 - Signal amplitude expansions and compressions, ex: $(0.1)^2 = 0.01$ and $10^2 = 100$, require high dynamic range
 - Internal bandwidth expansion, ex: correction up to IMD5 requires 1X, 3X, 5X internal bandwidths

TX forward path : improving DPD architecture – The hybrid Mixed-Signal Predistorter (MSPD)



Advantages:

- FIR-MP MSPD provides good linearization performance
- Digital baseband needs to support just the BW
- Relaxed specifications for DACs and reconstruction filters

Disadvantages:

- Modulator and Bandpass filter still need 5X BW
- Analog implementation challenges because of non-idealities



Conclusion

Conclusion

- **Digital predistortion is a hot research topic**
- **Fundamental design considerations of DPD systems have been introduced**
- **It requires trans-disciplinary skills**
 - Analog/RF
 - Data converters
 - Digital
- **Many design elements are interacting**
 - Multi-level approach is required
- **New approaches are required for integration with disruptive technologies for 5G**
 - Massive MIMO
 - mmWave