



HAL
open science

Controlled Components for Internet of Things As-AService

Tatiana Aubonnet, Amina Boubendir, Frédéric Lemoine, Noémie Simoni

► **To cite this version:**

Tatiana Aubonnet, Amina Boubendir, Frédéric Lemoine, Noémie Simoni. Controlled Components for Internet of Things As-AService. Open Journal of Internet of Things, 2016, 2 (1), pp.16-33. 10.19210/1005.2.1.16 . hal-02287728

HAL Id: hal-02287728

<https://telecom-paris.hal.science/hal-02287728>

Submitted on 17 Sep 2019

HAL is a multi-disciplinary open access archive for the deposit and dissemination of scientific research documents, whether they are published or not. The documents may come from teaching and research institutions in France or abroad, or from public or private research centers.

L'archive ouverte pluridisciplinaire **HAL**, est destinée au dépôt et à la diffusion de documents scientifiques de niveau recherche, publiés ou non, émanant des établissements d'enseignement et de recherche français ou étrangers, des laboratoires publics ou privés.



Distributed under a Creative Commons Attribution 4.0 International License



Controlled Components for Internet of Things As-A-Service

Tatiana Aubonnet ^A, Amina Boubendir ^B, Frédéric Lemoine ^A, Noémie Simoni ^B

^A CEDRIC, Conservatoire National des Arts et Métiers,
292 rue Saint-Martin, 75003 Paris, France, {tatiana.aubonnet, frederic.lemoine}@cnam.fr

^B Télécom ParisTech, 46 Rue Barrault, 75013 Paris, France
{amina.boubendir, noemie.simoni}@telecom-paristech.fr

ABSTRACT

In order to facilitate developers willing to create future Internet of Things (IoT) services incorporating the non-functional aspects, we introduce an approach and an environment based on controlled components. Our approach allows developers to design an IoT "as-a-service", to build the service composition and to manage it. This is important, because the IoT allows us to observe and understand the real world in order to have decision-making information to act on reality. It is important to make sure that all these components work according to their mission, i.e. their Quality of Service (QoS) contract. Our environment provides the modeling, generates Architecture Description Language (ADL) formats, and uses them in the implementation phase on an open-source platform.

TYPE OF PAPER AND KEYWORDS

Regular research paper: *controlled IoT service, quality of service, QoS, as a service, heterogeneity, cloud, IoT*

1 INTRODUCTION

The world of Internet of Things (IoT), Smart Object, Smart Connected products and cyber Physical System introduces devices of all kinds that, because of their ability to "observe" the physical world and to "provide" decision-making information, should be part of the architecture of the future Internet [5], [37]. The questions that arise are the following: How can they be integrated in this all connected context? Can we have a homogeneous or standardized architecture?

Among the fundamental characteristics of IoT systems International Telecommunication Union (ITU-T) [9], we focus on the following characteristics: (i) things-related services, (ii) heterogeneity and (iii) inter-connectivity.

- (i) IoT must provide things-related services taking into account the inherent requirements of these

services. The architecture that is emerging is a service oriented architecture (SOA) in which a semantic consistency is needed between physical and virtual objects associated with them. So that such services can be provided in compliance with these requirements, used technologies will have to change.

- (ii) The heterogeneity is located at several levels. There are in particular "the provided data" from very different fields. We need to understand and know the field of origin in order to qualify the treatment. Then the devices themselves will be affected, since they do not use the same hardware platforms or the same network. We need to make sure that they are reliable and that they behave properly.
- (iii) With regard to the IoT, any object can be connected to the infrastructure of information and

communication. The devices must be managed.

To meet these new challenges for IoT, we need to rethink the services and ensure their behaviors. With our proposals for a cloud application to become a services and micro services composition, and in order to reach maximum flexibility, to compose "as-a-service" with our connected objects, we propose in this paper:

- (a) Service Oriented Architecture allowing the composition of IoT applications in order to integrate functional and non-functional (e.g. quality of service) aspects.
- (b) Integration of IoT connectivity to its environment.
- (c) Management closer to each IoT service during the operation phase.

The rest of the paper is organized as follows. We first discuss and analyze related research contributions in Section 2. We then propose in section 3 an approach to compose IoT components "as-a-service" based on self-controlled components called "IoT Self-Controlled service Component" (IoTSCC). A platform for components based architecture design is also presented in this section. Moreover, we show in Section 4 how to add security functionalities. In Section 5 we present a study case related to warehouse arrival management. Finally, Section 6 summarizes and concludes this paper.

2 RELATED WORK

IoT may open new opportunities to create innovative applications. The Intelligent Network has introduced the concept of "Service Creation Environment" (SCE) [26]. This concept has been introduced with Intelligent Networks to ease and speed up the development and implementation of services [8]. An SCE is generally a graphical user interface for developing services using predefined components, also called building blocks (SIB). This approach has been a precursor in separating the service components and execution logic. The SIBs make the construction of telecommunication services as easy as possible. In the same way, the "as-a-service" in the IoT should allow a service composition flexibility.

IoT Service Platforms play a fundamental role for creating and managing IoT applications. It is crucial to hide the heterogeneity of hardware, software, data formats, technologies and communication characterizing IoT [34]. It is responsible for abstracting all the features of objects, network, and services, and for offering a loose coupling of components. IoT platforms in [17], [21] focus on cloud computing architecture to meet

the challenges of flexibility, extensibility and economic viability of IoT.

Some IoT platforms focus on the development of IoT architectures that ensure interoperability between vertical application solutions and different technologies. For example, the main goal of iCORE [16] and COMPOSE [22] is to develop an open network architecture based on objects virtualization that encompasses the technological heterogeneity.

BlueMix [4] is a platform "as-a-service" (PaaS) cloud, developed by IBM. It supports rapid development of analytic applications, visualization dashboard, and mobile IoT applications. IBM secures the platform and infrastructure and provides users with the tools to secure their apps and connect their device data with it. IBM IoT foundation (IoTF) [25] is the hub where users can set up and manage their connected devices. A device, in order to be connected, will require a device management agent that is a collection of logic installed on a device that allows it to connect to the cloud Internet of Things services as a managed device.

AWS IoT [2] is a platform that enables users to connect devices to AWS Services [1] and other devices, secure data and interactions, process and act upon device data, and enable applications to interact with devices even when they are offline. It provides secure, bidirectional communication between Internet-connected things (such as sensors, actuators, embedded devices, or smart appliances) and the Amazon Web Services (AWS) cloud. This enables users to collect telemetry data from multiple devices and store and analyze the data. The rules engine makes it possible to build IoT applications that gather, process, analyze and act on data generated by connected devices at global scale without having to manage any infrastructure.

Azure IoT Hub [6] is a fully managed service that enables reliable and secure bidirectional communication between millions of IoT devices and a solution back end. Azure IoT Hub can reliably receive, process or store millions of events per second from devices for analysis and provides extensive monitoring for device connectivity and device identity management events.

The SPRINT project [15] provides a platform to connect the software tools used by the industrial companies within the project and allows integration of different sub-systems at the design level. Other platforms as BUTLER [18] or MobilityFirst [38] aim to develop open architectures providing secure location and context-aware services.

All IoT platforms focus on the same problems such as homogenizing and transforming an object so that it becomes a little smarter and can be managed by understanding the same device management commands, securing communication between devices or

between devices to cloud services, obtaining diagnostic information, both for connectivity and for the devices themselves (rich device metadata, status information) and managing scalability by sending/receiving bulk operations on/from many devices at a time.

These platforms provide undeniable help for quick implementation, but have they not all implicit management aspects always adapted to a particular context? Are they not the result of a compromise? The architect has to be allowed to select, customize and adapt her/his solutions according to behavioral progress. Theoretical models of the IoT architecture and the definition of an initial set of key building blocks are indeed key objectives of [20] and IoT-A [13], respectively. The works [14], [19] focus on business services and on the development of SOA-based architectures and dynamic environments to semantically integrate services into IoT but without offering a loose coupling of components allowing re-composition according to behavioral changes during the session.

Furthermore, observance and integration of Quality of Service (QoS) is mandatory for IoT services and applications. The solutions provided by these platforms, as well as the standardization works of the ITU-T, ETSI oneM2M [23][24][9] are not sufficient and not complete, in our view, for the IoT and Cloud Computing. Indeed, service components ("as-a-service") in this IoT/Cloud environment must offer to the user, who will select them, not only a feature but well-defined behavior (QoS) too. This led us to propose a control allowing a component to monitor its compliance with the contract.

We note that in the mobile context there is a missing feature, the continuity of service. Our motivation is to design, manage and control components, reacting throughout the life cycle and during running time. That is why we present our approach of IoT "as-a-service" composition and control mechanisms to satisfy the continuity of service and the compliance with the contract.

3 PROPOSITIONS FOR AN AS-A-SERVICE IOT DESIGN

Since IoT is about smart objects [36] being first sensed then controlled and managed remotely across network infrastructure, there is a need to go towards an effective, structured and efficient realization of such a definition. For the purpose, we propose that IoT devices should be introduced in the "as-a-service" ecosystem of the Cloud. This is a major direction to acquire a significant role for meeting the need for remote control and management. We suggest in this section an approach to achieve this. We first describe the approach step-by-step and highlight the features introduced at each step of the transformation

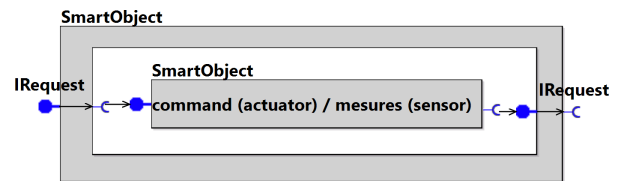


Figure 1: Representation of a smart object

approach of the smart object into a controllable IoT service component (Section 3.1). We then define more precisely the proposed solutions in the architectural dimension (Section 3.2), the organizational dimension (Section 3.3) and the functional dimension (Section 3.4).

3.1 From Smart Objects to IoT Services

In order to make a software component compliant with the IoT services world, we propose an approach that allows it to cover progressively the properties required for this transformation.

Our approach involves six steps.

Step 1: To structure

In an ecosystem where a service is available through a network, we need to distinguish, and thus structure, the service according to two parts: the functional part representing the offered functionality and the non-functional part containing control functionality representing the automation and policies serving the functional part and the management functionality that allows the coherence of the global system. In a fractal approach [30], a smart object is represented as a business component, which is the functional aspect of the smart object, with its use interface as shown in Figure 1.

The smart object needs to have control and management interfaces. That is why we propose to adopt the Grid Component Model (GCM) [29][33]. The resulting smart object structure at this step will be transformed to become a component including a management membrane with two interfaces: one control interface and one management interface. Membrane is proposed in the Grid Component Model (GCM) and standardized by the European Telecommunications Standards Institute (ETSI) [10, 11, 12, 3]. Thus, we have the possibility of dialogue with the two previously defined parts (functional and non-functional).

Step 2: To integrate

To integrate the smart object into an IoT context, we propose to add, in the membrane, a management component named "IoT processing" with management interfaces to allow the smart object to be invoked and managed with respect to an IoT profile.

We detail the "IoT processing" component in this

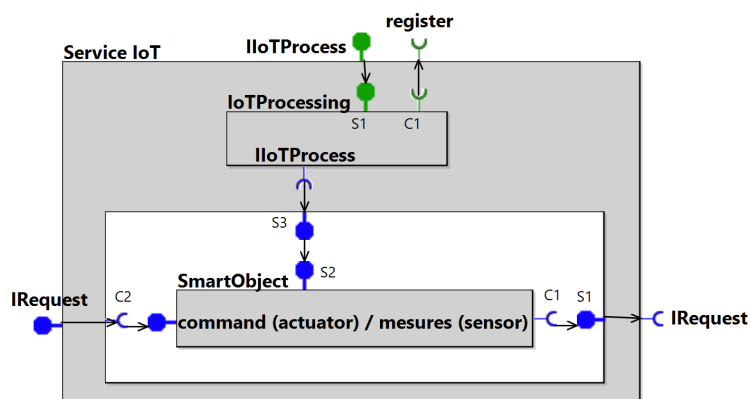


Figure 2: Representation of an IoT service

paper and define the micro-services that compose it. Thus, the smart object can be represented as an IoT service component as shown in Figure 2 and is integrated in its IoT environment with:

- Functional content (business) and external client and server interfaces.
- A membrane for the non-functional aspects, with management and control interfaces to be connected and to communicate within the IoT environment (with other objects for example).

Step 3: To self-control

For the control aspect, we propose to embed a QoS agent in order to introduce the needed autonomic aspect in an environment that is meant to scale and is subject to become rapidly more complex.

We have defined this auto-control for components in cloud services [27] and we propose to extend it to IoT services. The aim of introducing autonomic control of components is to enforce monitoring mechanisms that collect information concerning the behavior of the component in order to control the respect of service level agreement (SLA) and QoS level and react in case of non-compliance.

Thus, at this stage, the IoT service becomes a self-controlled IoT service Component, we call it IoTSCC that we detail later (See step 6). We rely on a recursive service architecture, where a service may comprise a set of self-controlled service components or micro-services. So the IoT SCC can be integrated within global self-controlled service architecture.

Step 4: To design as-a-service

This step aims to make sure that an offered service component can be added, removed or composed with other services, without crashing the whole organization, i.e., the global service architecture.

The "as-a-service" design is meant to allow the customization, flexibility in composing service offers, adaptability of the offered services or solutions as well as an on-the-fly deployment. For this purpose, a set of properties need to be verified for designing an IoT SCC as an IoT SCC as-a-service. The elementary units constructed as the IoT service need to rely on the following main properties of SOA and cloud services: statelessness, autonomy and loose coupling.

Statelessness means that the service performs the same processing to all requests without keeping any information about their data or their contexts. This allows a service to always offer the same function to all clients/requests. The service component should have one type of interface. And for the service to be stateless, its operations should be conceived to perform the processing without depending on information received during a precedent invocation.

Autonomy means that a service is able to achieve its functionalities without needing another service or human intervention. In this direction, we propose to conceive a service as a "black box" composed of a set of operations executed in the same manner and in the same order for all requests.

Loose Coupling means that the bindings or links between service components in a service composition are unattached or even rigid, in order to eliminate all types of functional coupling between services. Thus, loose coupling ensures a flexible composition of service components. Service composition consists of generating a global service by composing or chaining a set of elementary service components. This composition would thus be customizable and flexible by adding, replacing, and removing service elements according to users needs.

In addition, for software engineering needs, the properties of *reusing* and *mutualization* are strongly recommended in this approach.

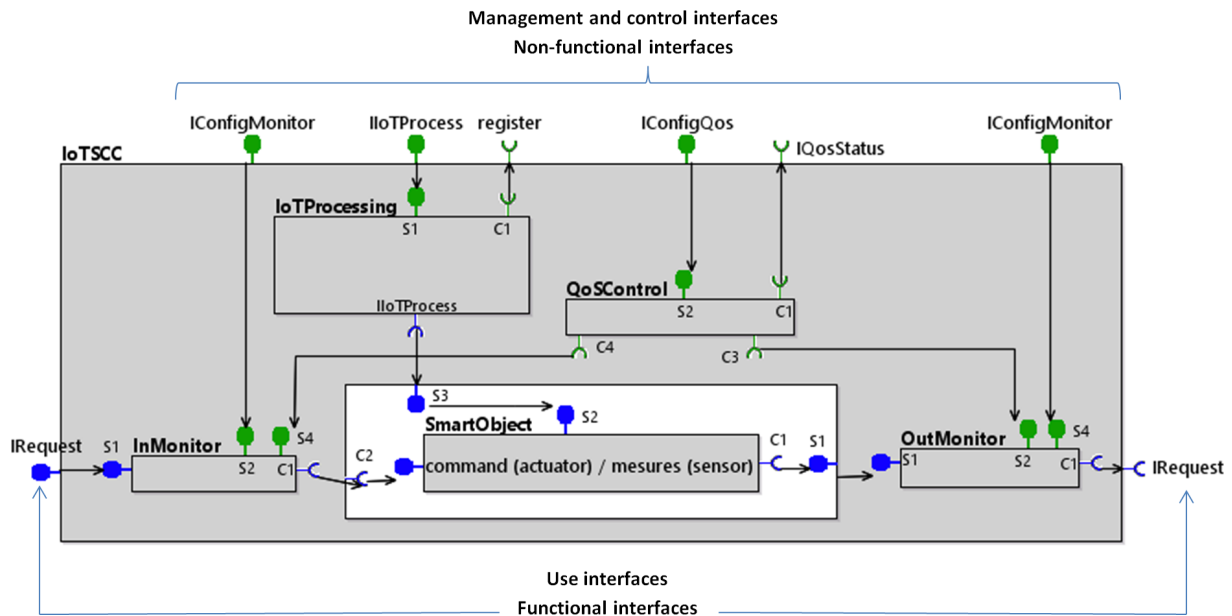


Figure 3: Controlled IoT Service (IoTSCC)

Reuse is needed to simplify the software development of services that meets the new needs: IoT SCC service components would be reusable thanks to the generic character of their interfaces (usage, control and management).

Mutualization means that the service component is a multi-tenant service element. This allows different users to call the service component and enforces the loose coupling property required by SOA service requirements [35].

Step 5: To describe

Like in web services, a service component needs to be correctly visible by users who would request it. For that, there is a need for service description and service registry using formal processes. These two properties allow to establish a service catalog of IoT SCC components. That is what is performed, adopting description and registry properties in a mode of web services.

To design application or service, the architect chooses multi-tenant IoT SCC components in the provider’s catalog, based on the specified nominal/offered QoS and threshold value. The catalog is a showcase for reusable components. If the composition is entirely IoTSCC-composed then it can be put in a catalog.

Step 6: To invoke

In order to be agile and not to be static and only configurable, the IoTSCC component has to be invoked through an API (Application Programming Interface). It must be standardized.

IoT service includes interfaces dedicated to QoS

control or compliance, IoT service control and programming. These interfaces are classified into three groups: use, control and management (Figure 3).

To summarize, this approach provides calibrated services (components) to evaluate the quality of services (QoS) that the service provider wants to offer and to help the architects to build service compositions. Four criteria are proposed to describe the QoS: availability, reliability, processing time, and capacity. The offered QoS also called nominal QoS is evaluated according to resource conditions of the underlying level. The service provider creates her/his catalog by adding calibrated SCC components. To design an application or service, the architect chooses/selects multi-tenant SCC components from the provider’s catalog, based on the specified nominal or offered QoS and the required resources to realize this QoS. In case of Out Contract, the component can be replaced by an ubiquitous (software) or a redundant (hardware) component. However, in case services are not calibrated using the four QoS criteria, the QoS control approach cannot be applied.

The QoS in our approach represents the non-functional aspect of the component (i.e. its behavior) defined and calibrated by the four criteria. Any behavior that cannot be described with these criteria is not covered by our approach. The approach cannot provide services with not calibrated QoS, services with imposed QoS in composition or services that cannot be replaced within our approach in case of Out Contract.

This approach allows to build the service components, but we also need at this stage to build the ”global

system structure". Indeed, the deployment of an IoT service application requires an integrated management approach. To help achieve such management in an IoT environment, we have proposed in previous papers conceptual models related to five different dimensions of management: architectural, organizational, functional, informational, and relational dimension [39]. The proposition we make in this article is based on a combined use of these conceptual models in order to deploy a dynamic management of IoT service components in an IoT or a cloud system as we present in the following subsections.

3.2 Architectural Dimension

It is known that the architectural dimension is the definition of the global structure. We rely on a horizontal architecture, rather than architecture in silos. We have described above the structure at the component level. It is an architect who builds her/his domain from these components. For example, she/he can adapt the emission mode by introducing a database and a service component that emits at predefined regular periods or in a continuous way. He can also introduce a gateway that allows adaptation to network protocols and plays the role of intermediary function with cloud access.

There are two types of view: horizontal and vertical. The horizontal view of the global structure is composed of nodes (representation of processing capabilities) and links (representation of transport capabilities). And there is the vertical view in which IoT objects need service components (software) at different visibility levels: first physical level and network level, then next components at a cloud (service and application) level. The architect will define the composition based on the global coherence and decisions to distribute. She/He will follow the proposed procedure. The architect structures the "smart objects" and makes them "IoT Service" by integrating our "IoT Processing" component. Then, based on the service contracts (SLA) that the architect has to guarantee and for which she/he has alternative solutions based on possible malfunctions, she/he transforms the "IoT service" in "IoT SCC" in order to have QoS based decision. The architect composes an application based on as-a-service properties.

For the specification, verification and validation of the architecture of applications built from IoTSCC components, we use the VerCors platform from INRIA [32]. Components can be connected with other components within the same membrane or with non-functional interfaces of other components. Having a tool-supported methodology is important for the design phase, when the designer builds an application, using

functional components as basic bricks, and assembling them into compositions.

VerCors helps the user to specify the architecture of an application, the interfaces, and the behavior of assembled components. Furthermore, the tool can generate executable code containing the whole architecture description and the skeleton of the final application. Several validations are performed like structural coherency aspects of the application model for ensuring that the code generation will terminate correctly, and that the code will not fail during deployment of the application components. A library of components integrating the non-functional aspects (IoT Processing, monitors and QoS-Control) is provided. These components would be instantiated by the application developer to deploy the architecture. VerCors is then in charge of verifying the (static) coherence of the architecture and providing a formal description of the architecture in an ADL (Architecture Description Language) file, which will be included in the specification of the application.

3.3 Organizational Dimension

According to the proposed architecture, different responsibilities need to be defined. Thus, the organizational dimension defines "who does what". We propose two kinds of scenarios: with and without IoT gateways (Figure 4).

With IoT gateways: the IoT gateway is in charge of collecting information from IoT devices and making some local analysis and transmitting a report to the cloud. IoT devices make their own report to the IoT gateway. A gateway manages a group of IoT devices. In the same way, the gateway re-transmits control commands from the cloud to the IoT devices. The volume of data exchanged and thus the communication resources are extremely low since the analysis would be done on the site by the gateway. Only results would be sent. It is a scenario worth to promote.

Without IoT gateways: IoT devices are directly connected to the cloud and assume the same functionalities of the previously detailed gateway.

The dynamic management of an IoT system requires: local capabilities for issues that need rapid reactions, distributed capabilities for mobility-like issues, and centralized capabilities for strategic decisions.

Our proposition is that this organizational dimension relies on the QoS agent by integrating it very accurately in the architecture. It will play the role of an organizational driver as it acts in real-time during the execution to verify the SLA QoS level compliance and reacts dynamically in an autonomous manner in case of non QoS contract compliance during a user session. The

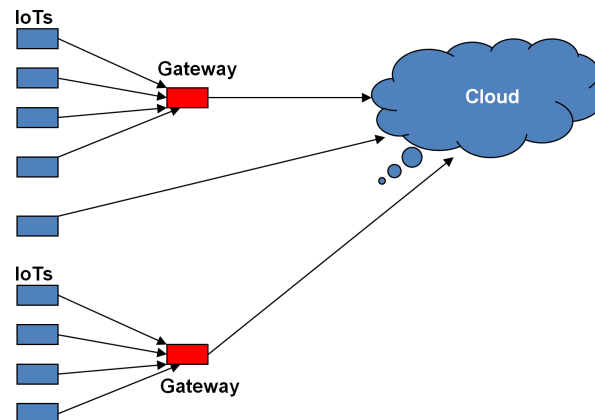


Figure 4: Organization with Gateways

QoS agent offers control and distributed management of QoS. It also plays an important role in the dynamic monitoring of the end-to-end IoT session QoS. More precisely, through the management interface, we can assign to a managed component an autonomous role with a given level of intelligence and information to enable the component to make required decisions [32].

Our architecture is valid whatever the organization. We focused on architecture independently of organization. Other organizations like fog computing and dew computing are thus complementary [40, 42].

3.4 Functional Dimension: IoT Micro-Services

In this section, we describe in detail the components and micro-services proposed in our approach:

- (A) IoT processing
- (B) IoTSCC
- (C) Messaging Service

(A) IoT Service integrating "IoT processing"

The IoT service component we propose is within the functional dimension. It plays an important role in the IoT service delivery. Thanks to the embedded "IoT processing" component, the component becomes autonomous and manageable. Managing smart objects in this way requires appropriate non-functional complementary aspects that we propose to be carried out by micro-services.

Micro-services, here, describe a particular way of designing software applications as series of independently deployable "micro" services. We define and propose a set of micro-services to be introduced according to the following needs:

(i) For the management:

- Get capabilities: means to ask for the characteristics and capabilities of the smart object (screen definition, screen size, memory size, supported codecs, etc.).
- Remote configurations: means to configure the smart object remotely.
- Register service: allows the smart object to register with the gateway or the cloud to be known, to inform about its presence and to become part of a trusted community.

(ii) For the control:

- Remote control: act remotely and control the smart object
- Time synchronization: synchronize the set of nodes of a community

Externally communication interfaces are also defined (see Figure 3): (i) a server interface (IoTProcess) allowing management and (ii) a client interface allowing control.

In the following, we define the self-controlled component that we call IoT Self-Controlled service Component (IoTSCC).

(B) Controlled IoT Service (IoTSCC)

Based on our experience in the cloud domain, we have a proposition to make concerning the control of the functionality or operation provided by the IoT service component. It appears to us that it is more accurate and reliable to connect and keep connecting only objects that respect their SLA parameters' values when performing their functionalities, i.e., that ensures SLA compliance. Initially, components would be chosen according to the service they offer (functional aspect: usage interface)

and the QoS level they offer (non-functional aspects: management and control interface) (see Figure 3). Then, the proposed SCC component control checks that the same QoS level promised initially is maintained during the processing of service requests. This non-functional control is integrated in the component membrane. It relies on the triptych (trio): in monitor, out monitor and a non-functional component for the control of QoS SLA compliance that translates the behavior (and thus the QoS level) expected initially at the designing phase and proposed as the offered QoS level when selecting the components.

This enforces us to propose an additional but required property for this approach: the offered QoS, which selects a service component according to its functionality but also according to its promised behavior (QoS level measured at design time). Thus, we propose an IoT service component that we call "IoTSCC" as shown in Figure 3. It is a controlled IoT service component that is enabled for self-monitoring and self-control. As we have demonstrated in OpenCloudware Project [7], the Self-Controlled service Component (SCC) controls also functional aspects.

The membrane (non-functional aspects) of the IoTSCC (controlled IoT service component) is composed of:

- An IoT processing component for the management of the smart object or a component of any type (connection, sensor or even cloud service).
- Two monitoring mechanisms: a monitor at the entrance of the functional component called "InMonitor" and a monitor at the back of the functional component called "OutMonitor". They play a role of interceptors. The service requests arriving to the smart object are intercepted, and then transmitted (of course without being altered) for processing the functional content of the smart object through the corresponding internal request interfaces. The OutMonitor intercepts the outgoing service requests or responses. They provide measure information about the interfaces of the functional component.
- A QoS component is added to the functional component of the smart object . It is in charge of inspecting the respect of the service contract. The QoS component checks the current behavior (availability, reliability, processing time, and capacity) of the functional component and its conformity with the contract (the processing feature). For this, it compares each measured current value to the corresponding threshold value.

The sub-components in the membrane (monitors and QoS control agent) are active in order to perform a monitoring of the QoS level at run-time (during processing of requests) and notify in case of degradation of the QoS level by comparing the measured QoS parameters at run time and the QoS parameters at design time (offered/promised QoS levels). Any detected offset between the run time QoS and the design time QoS would mean a non-respect of SLA. In this case, it sends an OutContract notification. Management after the detection of an OutContract event is out of scope of this paper. The analysis of a composition is complex and is still an open issue, however, some cases are simplified. Namely, if the OutContract come from a primitive component, it can be replaced (by an ubiquitous component (in case of software component) or by a redundant component (in case of hardware component)).

IoTSCC provides the usage interface, which is a functional interface (in blue on Figure 3). It provides the processing functions performed by the smart object and which is the offered service to the users as well as non-functional interfaces (in green on Figure 3). We distinguish two types of non-functional interfaces:

- Management interface: a server interface, it contains the necessary mechanisms to manage the configuration of the non-functional components in the membrane.
- Control interface: a client interface. It contains the mechanisms controlling the service behavior. It verifies whether the non-functional behavior of the smart object is meeting the service contract. Our IoTSCC structure makes an IoT service component homogeneous. But as modeling allows abstraction, the structure may be applied to different services, either at a device level or a (cloud) service level.

(C) Messaging Service

In addition to the logical bus acting as a hub, we propose different possibilities for sending data using a "Service Messaging" component that can be composed with the IoTSCC component. Figure 5 represents the following composition:

- An IoTSCC component (defined above).
- A database component used to store information (measurements for example) produced by the IoTSCC component.
- A "Message Processing" component used to consume information stored in a database component to send it to a caller in different ways:

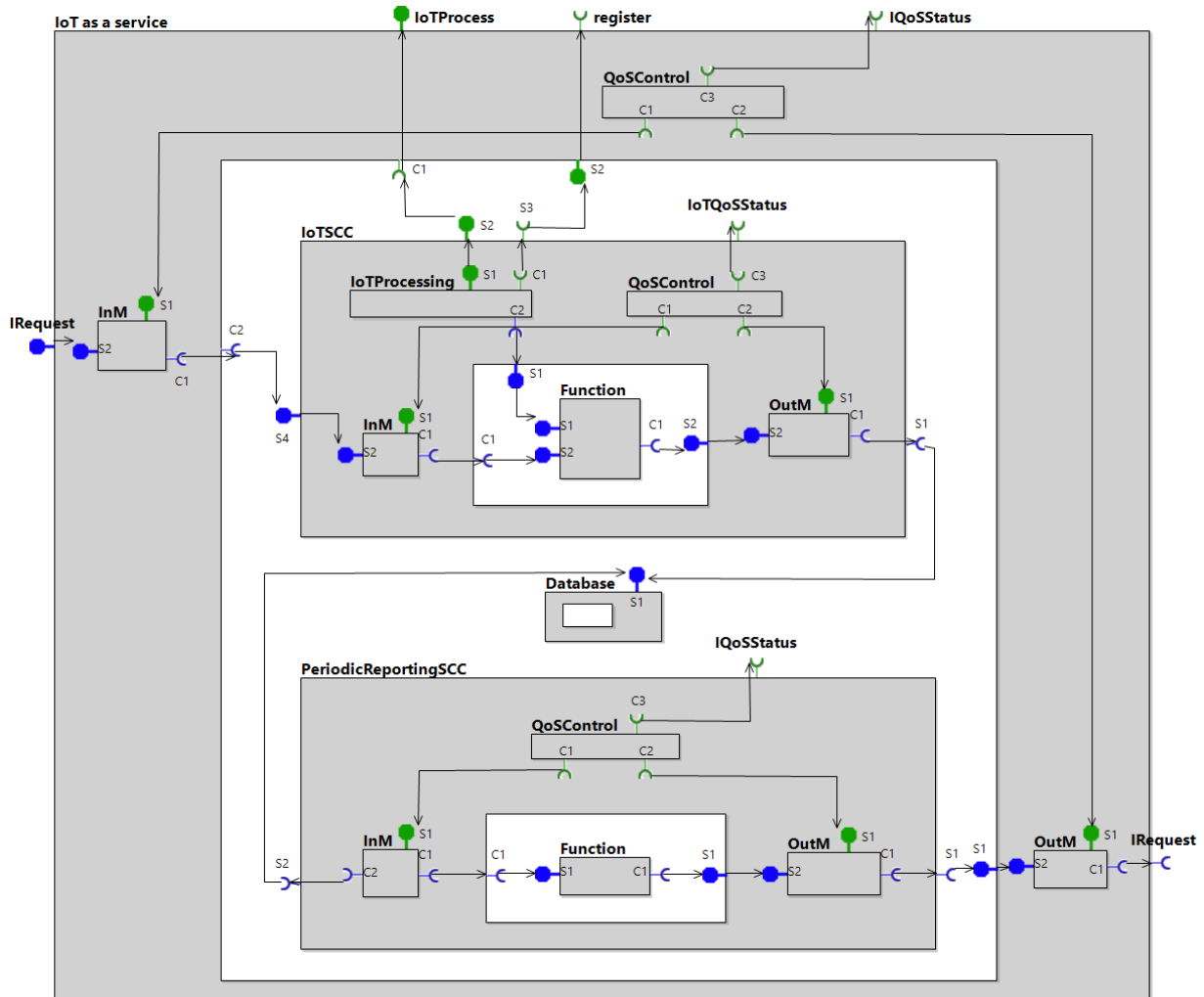


Figure 5: IoT as a service (IoTAaS)

- *On demand* reporting service: the information is sent when a calling component requests it.
- *Periodic* reporting service: the information is sent recurrently at regular time intervals.
- *Scheduled* reporting service: the information sent is planned or scheduled to be sent at defined times. Each one of these services may be self-controlled and thus becomes an SCC with the triptych (InMonitor, OutMonitor and QoS control components). If the service architect wishes to make a whole self-controlled service composition, she/he introduces the previous triptych again in the membrane of the highest level of the composition.

In order to be designed as-a-service, all service components should meet the required properties defined

in Section 3.1. That is: statelessness autonomy, loose couplings, description, registry, invocations and management (with respect of separation of functional and non-functional aspects of the Grid Component Model). This composition is called IoTAaS (Figure 5).

To compose IoT SCC services, the service composition can, of course, be extended with further components like security service, presented in the next subsection.

4 SECURED IOT

Concerning the security of the IoT we note a significant change. This open, heterogeneous and mobile environment is vulnerable. It presents significant risks in terms of security. Indeed, the borders of the system are more open since the system is extended: from smart objects to the gateway, then to the cloud. In

addition, IoT devices that generate information, which is accountable and subject to be billed, or IoT devices that require device integrity validation, should provide a trusted secure execution environment or trusted platform for executing high security applications.

Smart objects that require device integrity validation should provide a trusted execution environment. All data produced through the execution of functions within the trusted environment should be unknowable to unauthorized external entities. The trusted environment should perform confidential functions (such as storing secret keys and providing cryptographic calculations using those secret keys) needed to perform integrity check and validation of smart object devices.

IoT domain needs a trusted environment. The security level can be defined by the architect by choosing appropriate security services in the provider's catalog. It creates a secured composition with the security level she/he wishes according to an appropriate architecture and organization.

We show how we are responding to security issues through *architectural* and *organizational* aspects and how our architecture is best suited to counter some attacks. In our work, we take into account the concept of security "as-a-service". Thus, security is provided "as-a-service" and it is offered as service components in accordance to the spatial and temporal needs. The user preferences and security objectives are guaranteed. To ensure these objectives in IoT and Cloud environment, we can use the following security services: authentication, authorization, certificates, encryption, time stamping, and digital signatures. We have contributed to include these service components in the standard ETSI EG 202 009-2 [41].

Authentication provides the assurance for the claimed identity of an entity such as a smart object. Authorization "as-a-service" adds the process of granting of permission based on authenticated identification. A certificate is issued by a certification body in accordance with the conditions of its accreditation. In IoT environment the certificate can be associated with identifier meta-data for interoperability. Non-repudiation provides the ability to prove that an action or event has taken place, so that this event or action cannot be repudiated later. Usually, non-repudiation is based on digital certificates, electronic signatures and other similar data stored safely as the proof of the occurrence of an action or event. These four security services will form an IoT trust environment allowing the different degrees of security.

Encryption ensures the reversible transformation of data by a cryptographic algorithm to produce cipher text, i.e. hiding the information content of the data posted by a smart object or a gateway. Time stamping enables a security service that attests the existence of electronic

data at a precise instant of time. Time stamping services are useful and probably indispensable to support long-term validation of signatures. A digital signature allows a recipient of the data unit to prove its origin and integrity and protect the sender and the recipient against forgery by unauthorized persons. Figure 6 shows a secured IoT service with an authentication security service (IoTAaSS).

Advantages of using SeaaS (secure as a service) in IoT are multiple. IoT providers have applications (health, energy production, defense, etc.) that differ by their levels of security. So, they adapt the security level according to the business component and application context by choosing, for example, a more complex algorithm for authentication. Thus the authentication service component can be replaced, if needed, without changing other components of composition.

Our approach decomposes security service into elementary services in order to allow better and accurate organization. Fog and Dew computing [40, 42] may be secure solutions by limiting the amount of data sent to cloud servers. Sensitive data could remain local (IoT/Gateway) while not sensitive data could be sent to outside.

According to these organizations and the confidentiality of sensitive data, security must be provided at different levels. For example: (i) at the smart object that processes sending/receiving messages within a trusted environment and (ii) at the gateway that collects data for the connected objects (Gather Information) and sends them within a trusted environment to the cloud.

Security Attacks

Our architecture is best suited to counter some attacks, because some security attacks can be hindered with a composition of adequate services. We present some of them:

- Man-in-the-middle attack is an attack where the attacker secretly relays and possibly alters the communication between two parties who believe they are directly communicating with each other [31]. For preventing such attack, strong encryption services between the client and the server can be used. In this case the server authenticates a client's request by presenting a digital certificate, and then only connection could be established. Our architecture provides a secure environment so any unauthorized IoT cannot be connected to the inner network.
- The number of connected objects can be significant. A poorly secured object can jeopardize the security of others. Multi-objects management presents a

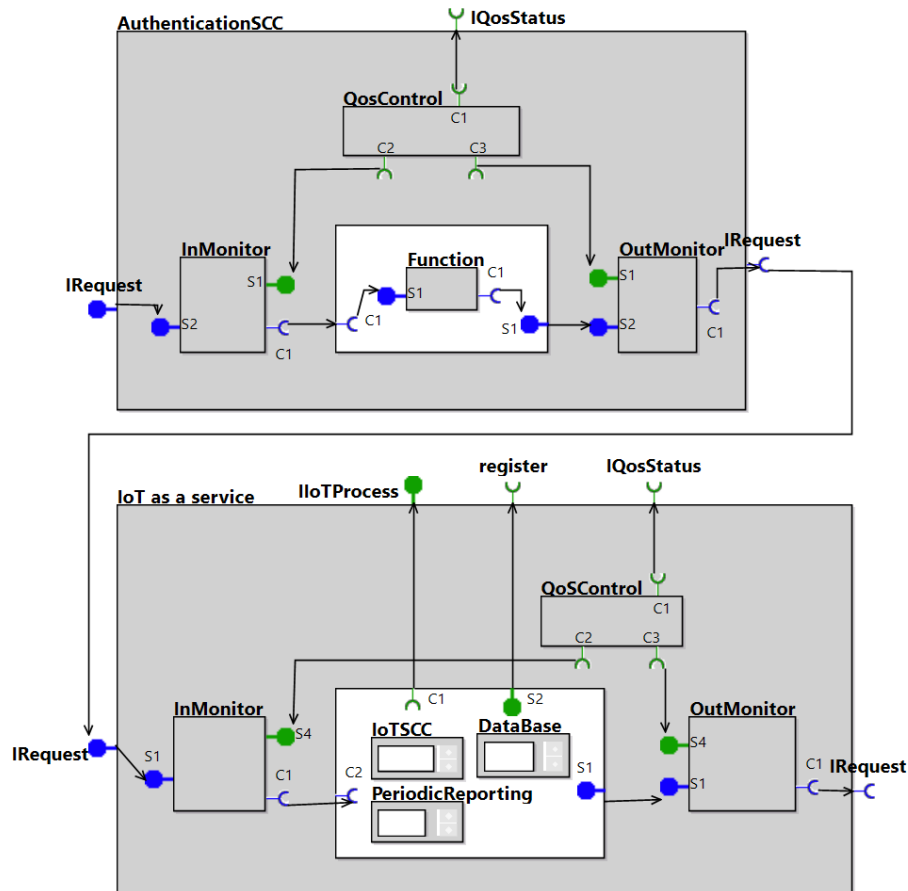


Figure 6: Secured IoT as a service (IoTAaSS)

major risk for security. Our architecture allows decentralizing a part of security closer to the business component.

- Denial-of-service attack is an attempt to temporarily or indefinitely interrupt or suspend services of a host connected to the Internet. Denial of service is typically accomplished by flooding the targeted machine with superfluous requests in an attempt to overload the system and prevent some or all legitimate requests from being fulfilled [43]. Our architecture monitors the QoS based on four criteria (availability, reliability, processing time, and capacity) so a DoS attack will be detected. The service will thus be replaced by an ubiquitous (software) or a redundant (hardware) component.

The next section presents a study case illustrating our proposals.

5 DESIGN AND IMPLEMENTATION OF A STUDY CASE

This section presents a study case implementing our IoTAaS component. Section 5.1 describes the study case. Section 5.2 shows that the proposed service component architecture can easily be implemented to provide complex services or applications. Finally other scenarios are provided in 5.3.

5.1 Study Case Description

We propose to build warehouse arrival management services (Figure 7). The goal is to automate and streamline the handling of trucks that arrive at a warehouse. Each truck carries dangerous products placed on a different container that are continuously monitored. The statuses of the containers are thereby sent to a cloud application. The truck is also monitored especially in order to know its location in real time. An employee located in the warehouse can consult the truck arrival board. The board knows the estimated arrival time of each truck and can prepare its unloading.

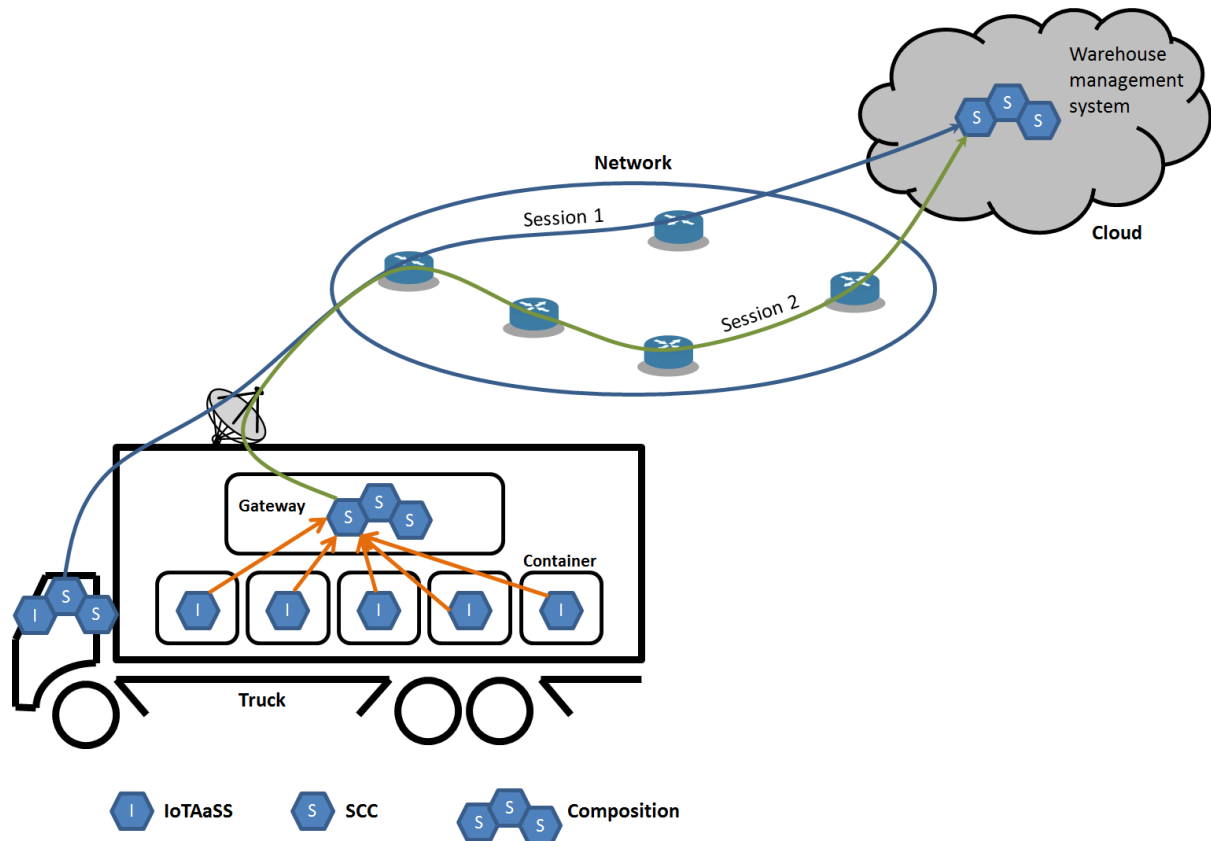


Figure 7: Warehouse arrival management based on IoTAaS

Approaching trucks are assigned automatically to a specific dock number. The dock number is sent to the driver, together with the expected arrival window. The driver confirms or corrects the expected arrival time. Corrections may be necessary due to prescribed driving breaks. The status of approaching trucks is shown on display in the arrival hall and on the mobile phone of all warehouse employees. The display shows expected arrival time and planned dock. All communications have to be secured. The design and implementation of the study case includes four phases:

- Diagram design on VerCors Component Editor (VCE) [32] with classes and interfaces
- Checking of the validity of the diagram
- Generation of the ADL file and code template of classes and interfaces.
- Code implementation and execution.

5.2 Design and Implementation Phases

In the architect role we used VerCors Component Editor (VCE) [32] to begin designing the architecture. We

follow the steps proposed in Section 3. We have a component with a membrane separating the usage plan from the control and management plans (Step 1, Figure 1). The encapsulated SmartObject can be a tilt sensor, level sensor or a force sensor located in/or each container. We add an IoTProcessing sub-component (Step 2, Figure 2) to transform it into an IoT service. We decide to control it, thus we add the QoSControl and the two In and Out monitors (Step 3, Figure 3). The component becomes an IoTSCC.

We wish that this component continuously reports its measurements. So, we make a composition with a database in order to store measures and a periodic reporting component. We choose to control this composition, so we add the QoSControl and two monitors. The final composition is called IoT as-a-service (IoTAaS) (Step 4, Figure 5). At this step, the IoTAaS could be placed in a provider's catalog for reusing (Step 5). We cover the architectural, organizational, and functional dimensions previously defined.

The communication is not secured, so we make a new composition first by reusing the previously defined IoTAaS component from the provider's catalog and

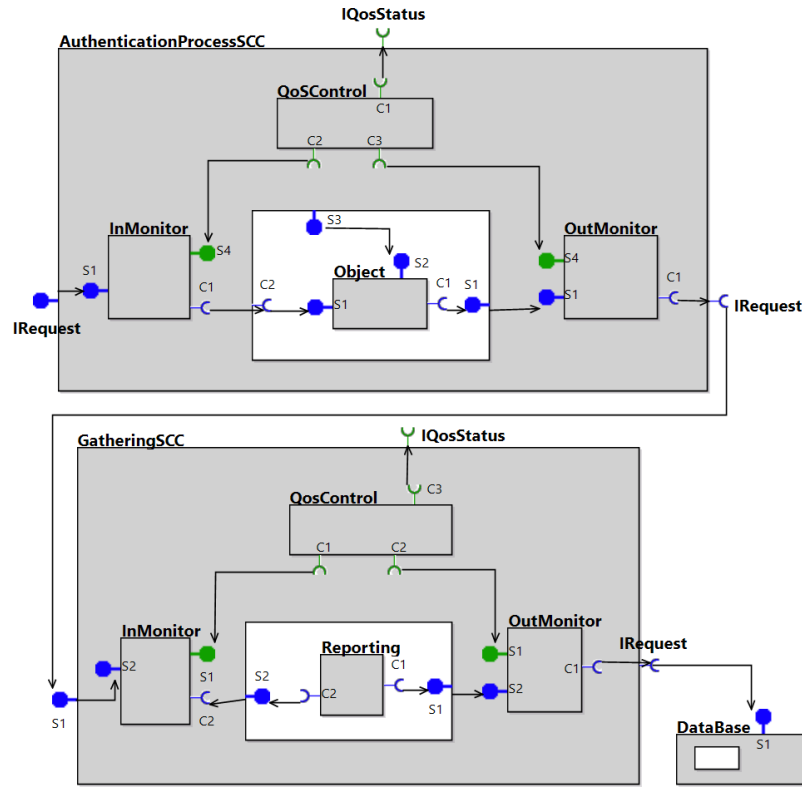


Figure 8: Composition located on IoT Gateway responsible of gathering information

second by adding a securing component. The final composition forms a Secured IoT as-a-service (Figure 6). We can repeat the same process to make more complex compositions if needed.

We placed the IoTAaSS previously defined component at different locations. The chosen architecture is defined as follows:

- (i) An IoTAaSS is located on each container monitoring its movement or its status with the help of gyroscopes, accelerometers or pressure sensors.
- (ii) The IoTAaSS performs a periodic and secured reporting to the IoT Gateway. This latter is responsible for gathering all the data sent by the IoTAaSS.
- (iii) The IoT Gateway performs a periodic and secured reporting too to the warehouse arrival application located in the Cloud.

The truck embeds a composition responsible for notifying the dock number to the driver, for allowing the driver to confirm or correct the expected arrival time and periodically for sending the truck location to the warehouse arrival application with the help of

an IoTAaSS. The data are sent securely and directly to the warehouse arrival application bypassing the IoT gateway.

The warehouse arrival application is a composition based on SCC located in the Cloud. Its function is to gather data from the fleet of trucks (containers and truck statuses), to notify the dock number to the driver, to take into account her/his corrections concerning the arrival time, and to create the arrival board to the intention of the warehouse employees. Figure 8 shows another example of composition located on IoT Gateway responsible for gathering information. The first component (AuthenticationProcessSCC) verifies the identity of the IoTAaSS sending the request. The GatheringSCC component stores information in a database component.

Note that there are two open sessions. The first one (blue) takes place between the truck composition and the warehouse arrival application; the second one (green) takes place between the IoT Gateway and the warehouse arrival application. The warehouse arrival application is a central unit. Each session is seen as a composition. With our architecture, the architect can control the whole session if she/he desires it, like any composition by adding QoSControl and Monitors.

At any stage of the design, with VCE, we have

Listing 1: Extract of ADL code

```

<?xml version="1.0" encoding="UTF-8" ?>
<!DOCTYPE definition PUBLIC "-//objectweb.org//DTD Fractal ADL 2.0//EN"
"classpath://org/objectweb/proactive/core/component/adl/xml/proactive.dtd">
<!-- Automatically generated by Vercors, INRIA Sophia-Antipolis -->
<definition name="IoTSCC">
  <interface name="IRequest" role="server" signature="interfaces.IRequest"/>
  <interface name="IRequest" role="client" signature="interfaces.IRequest"
contingency="optional" interceptors="OutMonitor.Interceptor"/>
  <component name="SmartObject">
    <interface name="command (actuator) / mesures (sensor)" role="server"
signature=".interfaces.AutoGeneratedInterface"/>
    ...
    <content class="classes.Business"/>
    <controller desc="primitive"/>
  </component>
  <binding client="SmartObject.C1" server="this.IRequest"/>
  ...
  <content class=".classes.CompositeDefaultClass"/>
  <controller desc="composite">
    <interface name="IConfigMonitor-controller" role="server"
signature="interfaces.IConfigMonitor"/>
    ...
    <component name="InMonitor">
      ...
      <content class="classes.Monitor"/>
      <controller desc="primitive"/>
    </component>
    <component name="OutMonitor">
      ...
      <content class="classes.Monitor"/>
      <controller desc="primitive"/>
    </component>
    <component name="QoSControl">
      ...
      <content class="classes.QoSControl"/>
      <controller desc="primitive"/>
    </component>
    <component name="IoTProcessing">
      ...
      <controller desc="primitive"/>
    </component>
    <binding client="this.IConfigMonitor-controller" server="InMonitor.S2"/>
    ...
  </controller>
</definition>

```

the possibility to check the validity of the diagram. When a diagram is completed, VCE can generate a set of files allowing the deployment of the application like code template of classes and interfaces, and Architecture Description Language (ADL) for the architecture description. An extract of an ADL file is given in Listing 1. The developer implements the missing service methods of the components in the java classes created with the generated skeleton. These files are then used to build an executable application that can be executed within the GCM/ProActive [28] execution environment (Step 6).

5.3 Other Scenarios

This approach takes into account the point of view of the architect and promotes flexibility of the commercial offer. Concerning the commercial offer, this approach allows to select the service that best fits the needs according to required and offered QoS (desired behavior). A service may have several providers. Architects compare and choose the service according to QoS level. Management is increasingly complex. Human errors are more numerous than those of automatons, so all automation that can be implemented has to be promoted. Our approach allows to build more and more complex services including our triptych (In and out monitors and the QoScontrol components) to control the desired behavior. We give other short examples of IoT scenarios /applications for which our architecture fits well:

- *Analytic services*: Users may wish to use analytics for several purposes. There are many analytic services' providers who may offer their own catalog. Analytic services are numerous because of their different algorithms providing their own QoS.
- *Smart Building*: Smart building is a IoT service that utilizes a collection of sensors, controllers, alerter, gateways deployed at the appropriate places in the building combined with applications. The server resides on the Internet to enable the automatic management of the building. A smart building system can greatly reduce the cost involved in managing the building like energy consumption and labor cost. With the smart building system, services like video monitor, light control, air-condition control and power supply can all be managed at the control center. Some services can be triggered automatically to save the precious time in case of fire, intruder, gas leak, etc. A provider of smart building services is a company that provides smart building services. It is in charge of installing the device all around the building

and provides the service that is used to manage the control center. A service may be offered by several providers. Architects compare and choose the service according to the QoS level.

- *Secure remote patient care and monitoring*: E-health applications, that provide the capability for remote monitoring and care, eliminate the need for frequent office or home visits by care givers, provide great cost-saving and convenience as well as improvements. "Chronic disease management" and "aging independently" are among the most prominent use cases of remote patient monitoring applications. Monitoring devices and associated services are multi-providers. Furthermore, electronic health records and their analysis require an high security environment based on our IoT security services.

More elements about the actors and their relationships for these use cases are presented in details in ETSI TR 118 501 [23].

6 SUMMARY AND CONCLUSIONS

We have presented an innovative approach to domain engineering based on IoT as-a-service components, QoS control and self-management mechanisms. We have described the whole approach, step by step, in order to allow developers to design an IoT "as-a-service", to build the service composition and to manage it.

This approach has been assessed and refined in the OpenCloudware project. Our IoT service creation environment adopted service composition approach. Thus, the proposed IoT service components have the properties recommended by SOA, namely: statelessness, autonomy, and loose coupling, extended with the following properties: description, registry, reuse, mutualization, and self-management. The IoT service components are QoS based, applicable in all phases of the life cycle to satisfy the continuity of service. Our approach ensures that IoT users have QoS control on IoT services in a dynamic way. Our proposal is backed-up by a design and verification VCE platform, used to build early models of the applications, check their properties, and generate code supported by GCM/proactive open source execution environment. These environments were used in the implementation of a study-case scenario that shows the feasibility of our proposals.

ACKNOWLEDGEMENTS

This work is supported by the OpenCloudware project. OpenCloudware is funded by the French FSN (Fond

national pour la Société Numérique), and is supported by Pôles Minalogic, Systematic and SCS.

The authors would like to thank Professor H. Dayan for his help and relevant remarks. We would also like to thank Professor Bernard Lemaire for his advice in finalizing this paper.

REFERENCES

- [1] "Amazon Web Services (AWS)." [Online]. Available: <https://aws.amazon.com>
- [2] "AWS IoT." [Online]. Available: <https://aws.amazon.com/iot/>
- [3] "[ETSI TS 102 830: Grid; grid component model; part 4: Gcm fractal java api," European Telecommunications Standards Institute (ETSI), Tech. Rep., standard.
- [4] "IBM Bluemix." [Online]. Available: <http://www.ibm.com/Bluemix>
- [5] "Internet of Things: Science fiction or business fact?" [Online]. Available: https://hbr.org/resources/pdfs/comm/verizon/18980_HBR_Verizon_IoT_Nov_14.pdf
- [6] "Microsoft Azure IoT Hub." [Online]. Available: <https://azure.microsoft.com/en/services/iot-hub/>
- [7] "The OpenCloudware project." [Online]. Available: <http://www.opencloudware.org/>
- [8] "Y.2001 : General overview of NGN." [Online]. Available: <https://www.itu.int/rec/T-REC-Y.2001/en>
- [9] "Y.2060 : Overview of the Internet of things." [Online]. Available: <https://www.itu.int/rec/T-REC-Y.2060-201206-I/en>
- [10] "ETSI TS 102 827: GRID; Grid Component Model; Part 1: GCM Interoperability Deployment," European Telecommunications Standards Institute (ETSI), Tech. Rep., 2008, standard.
- [11] "ETSI TS 102 828: GRID; Grid Component Model; Part 2: GCM Application Description," European Telecommunications Standards Institute (ETSI), Tech. Rep., 2008, standard.
- [12] "ETSI TS 102 829: GRID; Grid Component Model; Part 3: GCM Fractal Architecture Description Language (ADL)," European Telecommunications Standards Institute (ETSI), Tech. Rep., 2009, standard.
- [13] "FP7-ICT 257521, IoT-A - Internet of Things Architecture," 2010. [Online]. Available: <http://www.iiot-a.eu>
- [14] "FP7-ICT 257852, EBBITS Enabling the Business-Based Internet of Things and Services," 2010. [Online]. Available: <http://www.ebbits-project.eu>
- [15] "FP7-ICT 257909, SPRINT Software Platform for Integration of Engineering and Things," 2010. [Online]. Available: <http://www.sprint-iiot.eu/>
- [16] "FP7-ICT 287708, iCORE Internet Connected Objects for Reconfigurable Ecosystem," 2010. [Online]. Available: <http://www.iiot-icore.eu/>
- [17] "Nsf, FIA CNS-1040672, NEBULA a trustworthy, secure and evolvable Future Internet Architecture," 2010. [Online]. Available: <http://nebula-fia.org/>
- [18] "FP7-ICT 287901, BUTLER uBiquitous, secUre internet-of-things with Location and contExt-awaReness," 2011. [Online]. Available: <http://www.iiot-butler.eu/>
- [19] "FP7-ICT 288385, IoT.est Internet of Things Environment for Service Creation and Testing," 2011. [Online]. Available: <http://ict-iiot.est.eu>
- [20] "National Basic Research 973 Program of China under Grant No. 2011cb302701, Basic Research on the Architecture of Internet of Things," 2011.
- [21] "FP7-ICT 317674, BETaaS Building the Environment for the Things as a Service," 2012. [Online]. Available: <http://www.betaas.eu/>
- [22] "FP7-ICT 317862, COMPOSE Collaborative Open Market to Place Objects at your Service," 2012. [Online]. Available: <http://www.compose-project.eu/>
- [23] "ETSI ETSI TR 118 501: oneM2M Use Case collection," European Telecommunications Standards Institute (ETSI), Tech. Rep., 2015, standard.
- [24] "ETSI ETSI TR 118 502: Architecture Part 1: Analysis of the architectures proposed for consideration by oneM2M," European Telecommunications Standards Institute (ETSI), Tech. Rep., 2015, standard.
- [25] "IBM Watson IoT Platform," Sep. 2015. [Online]. Available: <https://internetofthings.ibmcloud.com>
- [26] T. Aubonnet and N. Simoni, "PILOTE: a service creation environment in next generation networks," in *2001 IEEE Intelligent Network Workshop*, May 2001, pp. 36–40.
- [27] T. Aubonnet and N. Simoni, "Service Creation and Self-management Mechanisms for Mobile Cloud Computing," in *Wired/Wireless Internet Communication - 11th International Conference*,

- WWIC 2013, St. Petersburg, Russia. *Proceedings*, 2013, pp. 43–55.
- [28] F. Baude, L. Henrio, and C. Ruz, “Programming Distributed and Adaptable Autonomous Components - the GCM/ProActive Framework,” *Software, Practice and Experience*, 2015.
- [29] F. Baude, D. Caromel, C. Dalmaso, M. Danelutto, V. Getov, L. Henrio, and C. Pérez, “GCM: A Grid Extension to Fractal for Autonomous Distributed Components,” *Annals of Telecommunications - annales des télécommunications*, 2008.
- [30] E. Bruneton, T. Coupaye, M. Leclercq, V. Quéma, and J.-B. Stefani, “The FRACTAL component model and its support in Java,” *Software: Practice and Experience*, vol. 36, no. 11-12, pp. 1257–1284, Sep. 2006.
- [31] F. Callegati, W. Cerroni, and M. Ramilli, “Man-in-the-Middle Attack to the HTTPS Protocol,” *IEEE Security Privacy*, vol. 7, pp. 78–81, Jan. 2009.
- [32] A. Cansado and E. Madelaine, “Specification and Verification for Grid Component-Based Applications: From Models to Tools,” in *Formal Methods for Components and Objects*, ser. Lecture Notes in Computer Science, F. S. d. Boer, M. M. Bonsangue, and E. Madelaine, Eds. Springer Berlin Heidelberg, Oct. 2008, no. 5751, pp. 180–203.
- [33] A. Cansado, E. Madelaine, and P. Valenzuela, “VCE: A Graphical Tool for Architectural Definitions of GCM Components,” Spain, 2008.
- [34] M. Chen, V. Leung, R. Hjelsvold, and X. Huang, “Smart and interactive ubiquitous multimedia services,” *Computer Communications*, vol. 35, no. 15, pp. 1769 – 1771, 2012.
- [35] D. Guinard, V. Trifa, S. Karnouskos, P. Spiess, and D. Savio, “Interacting with the SOA-Based Internet of Things: Discovery, Query, Selection, and On-Demand Provisioning of Web Services,” *IEEE Transactions on Services Computing*, vol. 3, no. 3, pp. 223–235, 2010.
- [36] F. Mattern, “From smart devices to smart everyday objects,” in *Proceedings of smart objects conference*, 2003, pp. 15–16.
- [37] F. Mattern and C. Floerkemeier, “From the Internet of Computers to the Internet of Things,” in *From Active Data Management to Event-Based Systems and More*, ser. Lecture Notes in Computer Science, K. Sachs, I. Petrov, and P. Guerrero, Eds. Springer Berlin Heidelberg, 2010, no. 6462, pp. 242–259.
- [38] D. Raychaudhuri, K. Nagaraja, and A. Venkataramani, “MobilityFirst: A Robust and Trustworthy Mobility-centric Architecture for the Future Internet,” *SIGMOBILE Mob. Comput. Commun. Rev.*, vol. 16, no. 3, pp. 2–13, Dec. 2012.
- [39] N. Simoni, S. Znaty, N. Perdigues, and S. Arsenis, *Gestion de réseau et de service: similitude des concepts, spécificité des solutions*. Paris, France: Interditions : Masson, 1997.
- [40] K. Skala, D. Davidovic, E. Afgan, I. Sovic, and Z. Sojat, “Scalable Distributed Computing Hierarchy: Cloud, Fog and Dew Computing,” *Open Journal of Cloud Computing (OJCC)*, vol. 2, no. 1, pp. 16–24, 2015. [Online]. Available: https://www.ronpub.com/publications/ojcc/OJCC_2015v2i1n03_Skala.html
- [41] T. Aubonnet and N. Simoni and P. Hebert, “ETSI EG 202 009-2: ”User Group; Quality of telecom services; Part 2: User related parameters on a service specific basis V1.3.1,” pp. 1–75, 2014, standard.
- [42] Y. Wang, “Definition and Categorization of Dew Computing,” *Open Journal of Cloud Computing (OJCC)*, vol. 3, no. 1, pp. 1–7, 2016. [Online]. Available: https://www.ronpub.com/publications/ojcc/OJCC_2016v3i1n02_YingweiWang.html
- [43] S. T. Zargar, J. Joshi, and D. Tipper, “A Survey of Defense Mechanisms Against Distributed Denial of Service (DDoS) Flooding Attacks,” *IEEE Communications Surveys Tutorials*, vol. 15, no. 4, pp. 2046–2069, 2013.

AUTHOR BIOGRAPHIES



Tatiana Aubonnet is assistant professor at computer science department of CNAM (Paris). She holds a PhD in computer and network science from Télécom ParisTech and an Habilitation from Pierre and Marie Curie University (University of Paris VI). Her research interests cover service creation and management in Next Generation Networks.



Amina Boubendir is a PhD student at Orange Labs Networks France and at Télécom Paris Tech in the Department of Networking and Computer Science. Her main research interests focus on management of network operations and services as well as the application of service-oriented and model-driven engineering to Telco Cloud and Network Functions Virtualization.



Frédéric Lemoine has an engineering degree in computer science, microelectronics and automatics. He is a research engineer and development project manager at the computer science department of CNAM (Paris). His expertise includes programming and modeling languages, heterogeneous parallel systems programming, embedded systems and mobile devices programming.



Noémie Simoni is an Emeritus Professor of Telecom-Paristech. She was Head of Architecture and Engineering of Networks and Services (AIRS) research group at the Department of Computer Science and Network. Her research interests include QoS management and modeling of complex systems. Her expertise, gained through many academic projects and industrial contracts, covers wide range of management topics. Today, her main work is focused on network convergence and service convergence, network virtualization and cloud computing.